



Aluminum & 316 Guillemin hose coupler NFE29-572



We design shanked Guillemin couplers, aluminum by gravity casting, stainless steel by investment casting, fitted with NBR gasket.

DN (MM)	(INCH)	Ø (MM)	ALU NBR	316 NBR
15	1/2	20	-	031019
20	3/4	25	031010	031020
25	1	30	031011	031021
32	1¼	35	031012	031022
40	1½	40.5	-	031023
40	1½	45	031013	031023.1
50	2	51	031114	031024
50	2	55	031014	031024.1
65	2½	63	031115	031025
65	2½	70	031015	031025.1
80	3	76	031116	031026.1
80	3	80	031116.81	031026.2
80	3	90	031016	031026.3
100	4	101.5	-	031027
100	4	105	031018	-
100	4	110	031017	031028
125	5	125	031118	-
150	6	152	031119	-

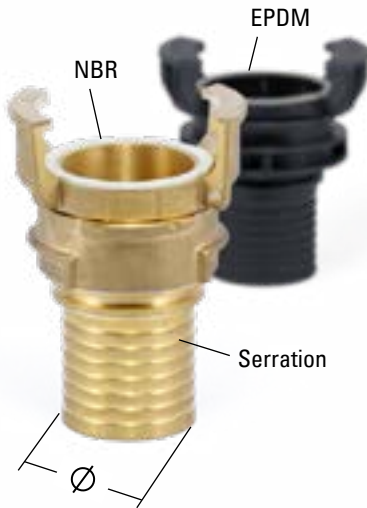
Aluminum & 316 Guillemin hose coupler EN14420-8



We produce hose couplers with DIN collar per EN14420-8, for direct assembly with DIN safety clamps, working with crimp ferrules as well.

DN (MM)	(INCH)	Ø (MM)	ALU NBR	316 NBR
20	3/4	19.5	031110.18	031020.18
25	1	25.5	031111.18	031021.18
32	1¼	32.5	031112.18	031022.18
40	1½	38.5	031113.18	031023.18
50	2	50.5	031114.18	031024.18
65	2½	63.5	031115.18	031025.18
80	3	75.5	031116.18	031026.18
100	4	101.5	031117.18	031027.18

Brass & PP Guillemín hose coupler NFE29-572



We offer Guillemín couplings in forged brass, also polypropylene and glassfiber blend for better chemical resistance, optional with NBR or EPDM gasket.

DN (MM)	(INCH)	Ø (MM)	BR NBR	PP EPDM
20	3/4	25	031061	-
25	1	30	031062	-
32	1¼	35	031063	-
40	1½	25.5	031064.41	-
40	1½	30.5	031064.31	-
40	1½	35.5	031064.21	-
40	1½	40.5	031064.1	-
40	1½	45	031064	-
50	2	51	031065.1	031084
50	2	55	031065	031084.1
65	2½	65	031066.1	-
65	2½	70	031066	-
80	3	76	031067.1	031086
80	3	90	031067.3	031086.1
100	4	100	031068.3	-
100	4	102	031068.2	031087.1
100	4	105	031068.1	-
100	4	110	031068	031087
125	5	-	-	-
150	6	-	-	-

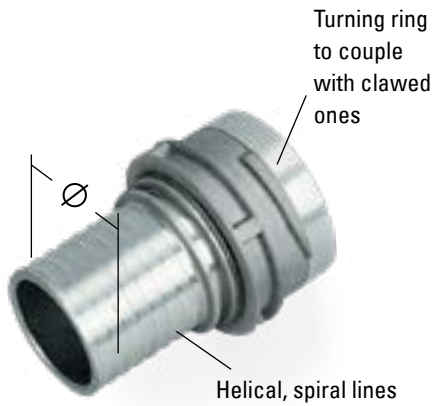
Brass Guillemín hose coupler EN14420-8



We offer Guillemín brass parts also with DIN collar per EN14420-8, for direct assembly with DIN safety clamps, working with crimp ferrules as well.

DN (MM)	(INCH)	Ø (MM)	BR NBR
20	3/4	19.5	031061.18
25	1	25.5	031062.18
32	1¼	32.5	031063.18
40	1½	38.5	031064.18
50	2	50.5	031065.18
65	2½	63.5	031066.18
80	3	75.5	031067.18
100	4	101.5	031068.18

Aluminum & 316 Guillemin composite hose coupling



We design hose couplers with helical shank, going in line with composite hose wires, possible to be specified. NBR gasket is fitted.

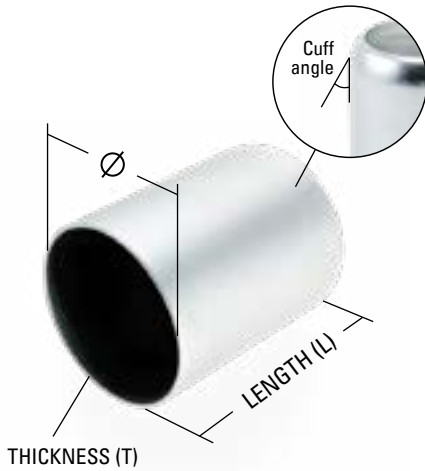
DN (MM)	(INCH)	Ø (MM) ¹	ALU NBR	316 NBR
20	3/4	23.3	-	031220
25	1	28	-	031221
32	1¼	35	-	031222
40	1½	43 / 43.5	031213	031223
50	2	53 / 53.6	031214	031224
65	2½	67 / 67.5	031215	031225
80	3	83	031216	031226
100	4	106 / 105.5	031217	031227

DN (MM)	(INCH)	Ø (MM)	ALU NBR	316 NBR
20	3/4	-	-	-
25	1	-	-	-
32	1¼	-	-	-
40	1½	-	-	-
50	2	53	031214.1	-
65	2½	-	-	-
80	3	83	031216.11	031226.11
100	4	-	-	-

DN (MM)	THRD (INCH)	Ø (MM) ¹	ALU BSPP	316 BSPP
20	3/4	22.3	-	031320
25	1	28	-	031321
32	1¼	35.5	-	031322
40	1½	43.5 / 43	031373	031323
50	2	53.4 / 53	031374	031324
65	2½	67.0 / 67.5	031375	031325
80	3	82.5 / 83	031376	031326
100	4	105	031377	031327

¹ Due to non-working surfaces, outside dia. on hose ends could differ slightly between aluminum and stainless steel parts.

Aluminum crimping ferrule



Some of suitable aluminum ferrules for composite assemblies are listed here, optional SS304. Cuff degrees, lengths, thickness and diameters can be specified.

DN (MM)	Ø (INCH)	Ø (MM)	L (MM)	T (MM)	CUFF (DEG.)	ALU
20	3/4	35	37	1.0	90	043050
25	1	40	42	1.5	15	043051
32	1¼	50	45	1.5	20	043057
40	1½	57	52	1.5	15	043052
50	2	67	45	1.5	90	043053
65	2½	83	73	2.0	15	043054
80	3	98.5	75	2.2	15	043055
100	4	122.5	87	2.0	15	043056

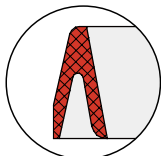
NBR & FPM expansion gasket composite hose crimper

We provide expansion gaskets in combination with helical hose couplings and crimping ferrules. Materials can be specified.

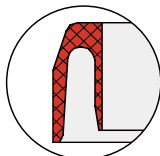
GASKET	SHORE A	TEMP (°C)	TEMP (°F)	COMPOUND
NBR	60 ± 5	-10 / 80	14 / 176	acrylonitrile butadiene
FPM	70 ± 5	-20 / 180	-4 / 356	fluorocarbon



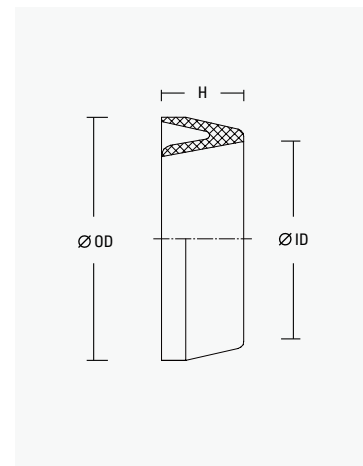
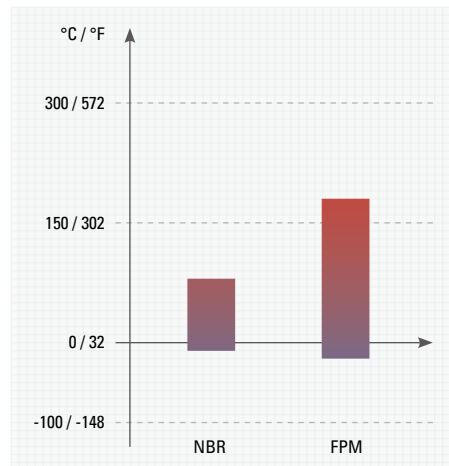
Edge shape varies from V and U shapes.



Type V



Type U



DN (MM)	Ø ID (INCH)	Ø ID (MM)	Ø OD (MM)	H (MM)	TYPE	NBR BLACK	FPM BLACK
20	3/4	-	-	-	-	-	-
25	1	25	40.5	17	U	039100	039100.1
32	1¼	32	48	20	U	039101	039101.1
40	1½	40	56	20	U	039102	039102.1
50	2	44	65	22	V	039104	039104.1
65	2½	64	84	24	V	039105	039105.1
80	3	73	98	25	V	039106	039106.1
100	4	95	122	30	V	039107	039107.1

Aluminum & 316 Guillemin by inside thread NFE29-572



We design Guillemin couplers with parallel inside thread in cast aluminum and SS316, those with lock ring fitted with NBR connection gasket.

DN (MM)	THRD (INCH)	ALU NBR	316 NBR
15	1/2	-	033021
20	3/4	033052	033022
25	1	033053	033023
32	1¼	033054	033024
40	1½	033055	033025
50	2	033056	033026
65	2½	033057	033027
80	3	033058	033028
100	4	033059	033029
125	5	033051.2	-
150	6	033050	-

Aluminum & 316 Guillemin thread adapter w/o lock-ring



We produce also light Guillemin threaded coupler without lock-ring in aluminum and stainless steel. Gasket is not necessary as working with one that carries.

DN (MM)	THRD (INCH)	ALU BSPP	316 BSPP
15	1/2	-	035021
20	3/4	035052	035022
25	1	035053	035023
32	1¼	035054	035024
40	1½	035055	035025
50	2	035056	035026
65	2½	035057	035027
80	3	035058	035028
100	4	035059	035029

Aluminum & 316 Guillemin jawless adapter

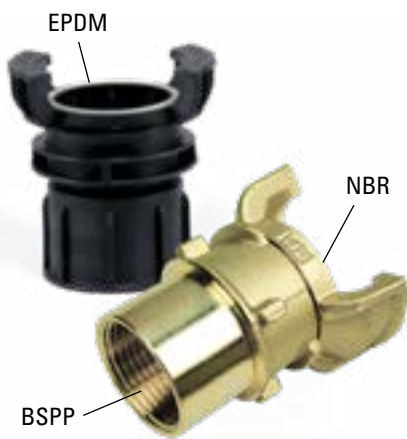


We design free of jaw or claw piece mating with Guillemin couplings. NBR gasket is fitted.

DN (MM)	THRD (INCH)	ALU BSPP	316 BSPP
25	1	-	-
50	2	-	-
80	3	033058.1	-
100	4	-	-



Brass & PP Guillemín by inside thread NFE29-572



We provide Guillemín threaded adapter in forged brass, also polypropylene and glass-fiber blend for better chemical resistance, optional with NBR or EPDM gasket.

DN (MM)	THRD (INCH)	BR NBR	PP EPDM
15	1/2	-	033021
20	3/4	033061	033022
25	1	033062	033023
32	1¼	033063	033024
40	1½	033064	033025
50	2	033065	033026
65	2½	033066	033027
80	3	033067	033028
100	4	033068	033029

Brass Guillemín without lock-ring



We produce light Guillemín threaded coupler without lock-ring in forging brass. No gasket is necessary as working with one that carries.

DN (MM)	THRD (INCH)	BR NBR	PP EPDM
15	1/2	-	-
20	3/4	035061	-
25	1	035062	-
32	1¼	035063	-
40	1½	035064	-
50	2	035065	-
65	2½	035066	-
80	3	035067	-
100	4	035068	-

Aluminum & 316 Guillemín by outside thread NFE29-572



We offer Guillemín also by parallel outside thread in cast aluminum and SS316, those with lock ring fitted with NBR connection gasket.

DN (MM)	THRD (INCH)	ALU NBR	316 NBR
15	1/2	-	032021
20	3/4	032052	032022
25	1	032053	032023
32	1¼	032054	032024
40	1½	032055	032025
50	2	032056	032026
65	2½	032057	032027
80	3	032058	032028
100	4	032059	032029
125	5	032051.2	-
150	6	033050	032031

Aluminum & 316 Guillemín thread adapter w/o lock-ring



We produce also light Guillemín threaded coupler without lock-ring in aluminum and stainless steel. Gasket is not necessary as working with one that carries.

DN (MM)	THRD (INCH)	ALU NBR	316 NBR
15	1/2	-	-
20	3/4	036052	036022
25	1	036053	036023
32	1¼	036054	036024
40	1½	036055	036025
50	2	036056	036026
65	2½	036057	036027
80	3	036058	036028
100	4	036059	036029
125	5	-	-
150	6	036050	-

Aluminum & 316 Guillemín jawless adapter

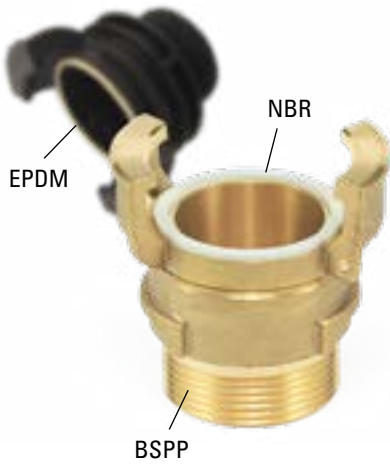


We design free of jaw or claw piece mating with Guillemín couplings. NBR gasket is fitted.

DN (MM)	THRD (INCH)	ALU BSPP	316 BSPP
25	1	-	-
50	2	-	-
80	3	032058.1	032028.6
100	4	-	-



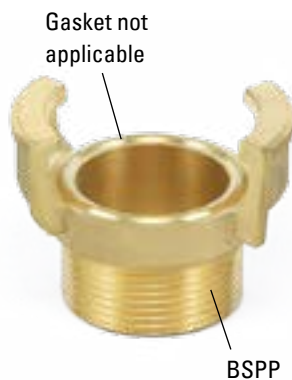
Brass & PP Guillemín by outside thread NFE29-572



We provide Guillemín threaded adapter in forged brass, also polypropylene and glass-fiber blend for better chemical resistance, optional with NBR or EPDM gasket.

DN (MM)	THRD (INCH)	BR NBR	PP EPDM
15	1/2	-	033021
20	3/4	032061	033022
25	1	032062	033023
32	1¼	032063	033024
40	1½	032064	033025
50	2	032065	033026
65	2½	032066	033027
80	3	032067	033028
100	4	032068	033029

Brass Guillemín without lock-ring



We produce light Guillemín threaded coupler without lock-ring in forging brass. No gasket is necessary as working with one that carries.

DN (MM)	THRD (INCH)	BR NBR	PP EPDM
15	1/2	-	-
20	3/4	033061	-
25	1	033062	-
32	1¼	033063	-
40	1½	033064	-
50	2	033065	-
65	2½	033066	-
80	3	033067	-
100	4	033068	-

Aluminum & 316 Guillemin blind end, locking plug



We also produce plugs with turning lock-ring, made in casting aluminum and stainless steel, fitted with NBR and steel chain.

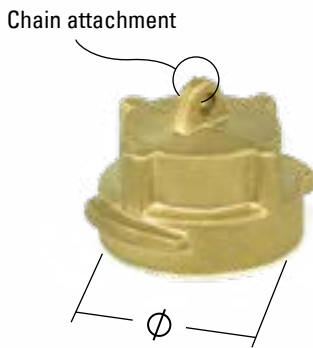
DN Ø		ALU	316
(MM)	(INCH)	NBR	NBR
		CS CHAIN	SS CHAIN
15	1/2	-	034021
20	3/4	034052.1	034022
25	1	034053.1	034023
32	1¼	034054.1	034024
40	1½	034055	034025
50	2	034056	034026
65	2½	034057	034027
80	3	034058	034028
100	4	034059	034029
125	5	034051	-
150	6	034050	034031

DN Ø		ALU	316
(MM)	(INCH)	NBR	NBR
		CS CHAIN	SS CHAIN
32	1¼	034154	-
40	1½	034155	-
50	2	034156	034126
65	2½	034157	-
80	3	034158	034128
100	4	034159	-

DN Ø		ALU	316
(MM)	(INCH)	NBR	NBR
		CS CHAIN	SS CHAIN
15	1/2	-	034080
20	3/4	-	034081
25	1	-	034082
32	1¼	-	034083
40	1½	034094.2	034084
50	2	034095	034085
65	2½	034096	034086
80	3	034097.2	034087
100	4	034098.4	034088

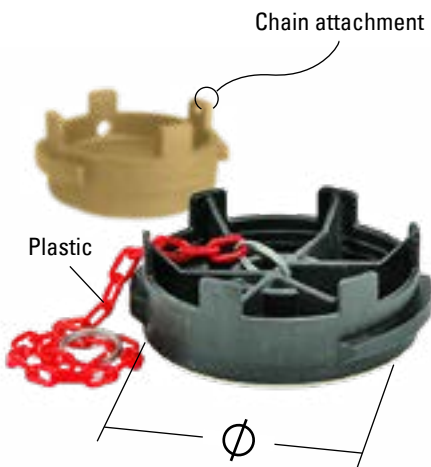


Brass & PP Guillemin blind end, locking plug



We also produce plugs with turning lock-ring, made in forged brass also polypropylene with glassfiber blend, NBR gasket and chain fitted.

DN Ø		BR	PP
(MM)	(INCH)	NBR CS CHAIN	NBR SS CHAIN
20	3/4	034061	-
25	1	034062	-
32	1¼	034063	-
40	1½	034064	-
50	2	034065	-
65	2½	034066	-
80	3	034067	-
100	4	034068	-



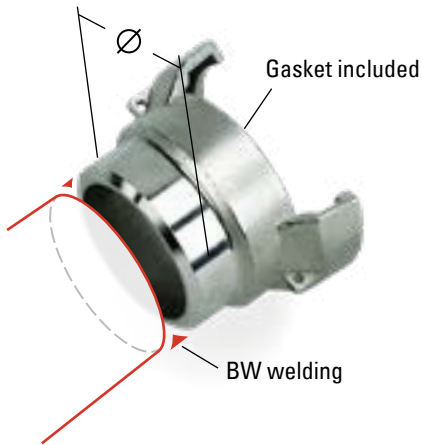
DN Ø		BR	PP
(MM)	(INCH)	NBR CS CHAIN	NBR POLY CHAIN
20	3/4	034061	-
25	1	034062	-
32	1¼	034063	-
40	1½	034064	034285
50	2	034065	034286
65	2½	034066	-
80	3	034067	034288
100	4	034068	034289

316 Guillemin coupler for welding connection, BW



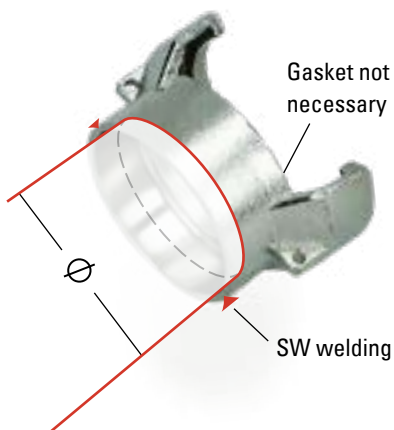
We produce stainless steel Guillemin coupler with blunt end for BW welding connection, gasket applied.

DN Ø (MM)	(INCH)	316 NBR
15	1/2	032021.1
20	3/4	032022.1
25	1	032023.1
32	1¼	032024.1
40	1½	032025.1
50	2	032026.1
65	2½	032027.1
80	3	032028.1
100	4	032029.1
125	5	-
150	6	032031.1



DN Ø (MM)	(INCH)	316 NBR
20	3/4	-
25	1	-
32	1¼	036024.1
40	1½	036025.1
50	2	036026.1
65	2½	036027.1

316 Guillemin coupler for welding connection, SW



We produce stainless steel Guillemin coupler with socket end for SW insertion, gasket not necessary.

DN Ø (MM)	(INCH)	316 NBR
20	3/4	035022.1
25	1	035023.1
32	1¼	-
40	1½	035025.1
50	2	035026.1
65	2½	035027.1



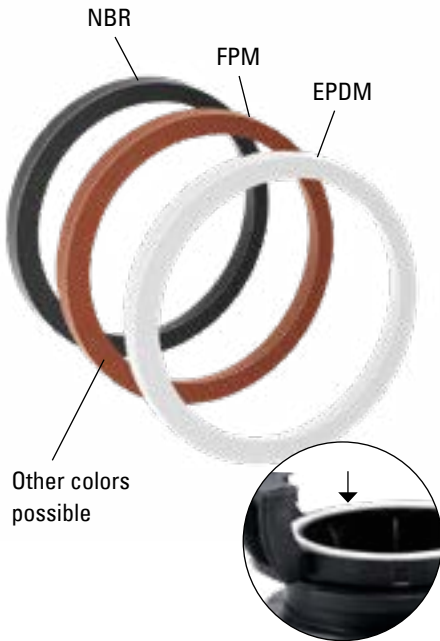
Aluminum, 316 & PP spool reducer of Guillemín



We produce spool adapters of Guillemín made in aluminum plus T6 treatment and investment casting 316. Gaskets on both ends are applied.

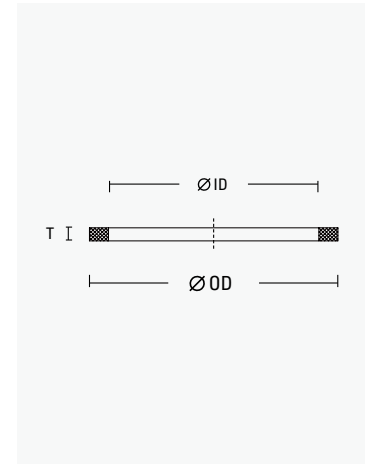
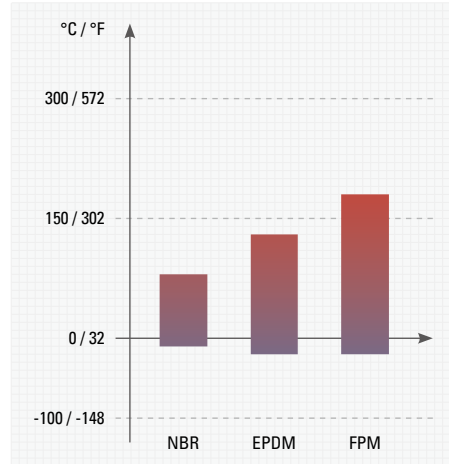
DN Ø (MM)	(INCH)	ALU NBR	316 NBR	PP EPDM
40 × 20	1½ × ¾	031305	031334	-
40 × 25	1½ × 1	031306	031335	-
40 × 32	1½ × 1¼	031307	031336	-
50 × 25	2 × 1	031308	031337	-
50 × 32	2 × 1¼	031309	031338	-
50 × 40	2 × 1½	031310	031339	-
65 × 25	2½ × 1	031302	-	-
65 × 32	2½ × 1¼	-	031340	-
65 × 40	2½ × 1½	031311	031341	-
65 × 50	2½ × 2	031312	031342	-
80 × 40	3 × 1½	031313	031343	-
80 × 50	3 × 2	031314	031344	031384
80 × 65	3 × 2½	031315	031345	-
100 × 40	4 × 1¼	031316	031346	-
100 × 50	4 × 2	031317	031347	-
100 × 65	4 × 2½	031318	031348	-
100 × 80	4 × 3	031319	031349	031386
125 × 100	5 × 4	031301	-	-
150 × 100	6 × 5	031300	-	-

Spare part NBR, FPM, EPDM Guillemin gasket



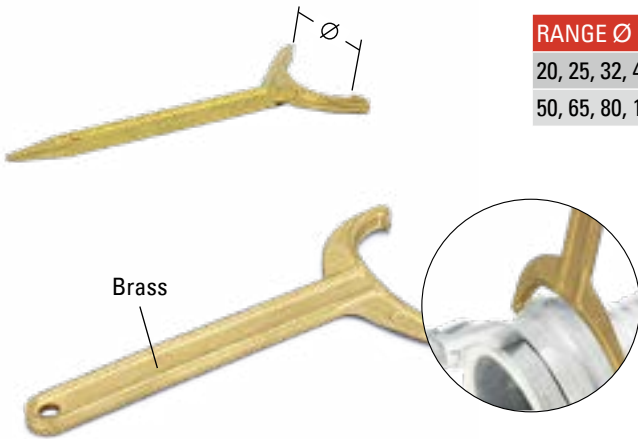
We fit Guillemin with connection gaskets, mainly in NBR and FPM for aluminum and 316 parts, EPDM in Poly couplers.

GASKET	SHORE A	TEMP (°C)	TEMP (°F)	COMPOUND
NBR	60 ± 5	-10 / 80	14 / 176	acrylonitrile butadiene
EPDM	70 ± 5	-20 / 130	-4 / 266	ethylene propylene
FPM	70 ± 5	-20 / 180	-4 / 356	fluorocarbon



SIZE (INCH)	Ø ID (MM)	Ø OD (MM)	T (MM)	NBR BLACK	EPDM WHITE	FPM RED
15 (1/2)	17	22	3.5	039001.2	039001.1	039001.4
20 (3/4)	23	28	3.5	039002.2	039002.1	039002.4
25 (1)	27.3	34.3	4	039003.2	039003.1	039003.4
32 (1¼)	32	38	4.5	039004.2	039004.1	039004.4
40 (1½)	43	51	5	039005.2	039005.1	039005.4
50 (2)	54	64	5	039006.2	039006.1	039006.4
65 (2½)	69	79	6	039007.2	039007.1	039007.4
80 (3)	85	96	6	039008.2	039008.1	039008.4
100 (4)	103.5	117.5	7	039009.2	039009.1	039009.4

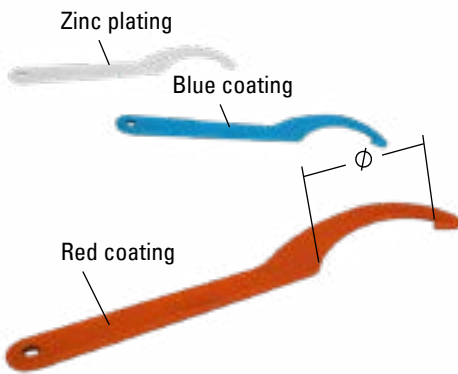
Brass Guillemin hook wrench



We forge brass hook wrenches (spanners) for the Guillemin connection. It works on those with lock-ring, two applied for sufficient torque.

RANGE Ø	(INCH)	BR
20, 25, 32, 40, 50, 65	3/4, 1, 1¼, 1½, 2, 2½	084144
50, 65, 80, 100	2, 2½, 3, 4	084142

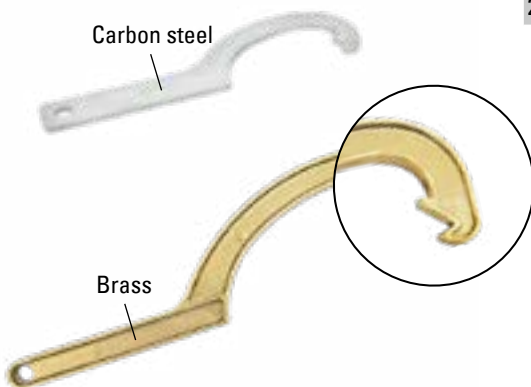
Steel Guillemin hook wrench



We produce also the hook wrenches in carbon steel, coated and plated working for anti-rust purpose.

RANGE Ø	(INCH)	RED	BLUE	PLATING
50, 65, 80, 100	2, 2½, 3, 4	084108	084108.1	084108.2

Brass & steel Guillemin dual hooked wrench



We offer a specific wrench that can be adapted for the full Guillemin range. The trick is done with two hooks on the head.

RANGE Ø	(INCH)	BR	CS
20, 25, 32, 40, 50, 65, 80, 100	3/4, 1, 1¼, 1½, 2, 2½, 3, 4	084143	084109