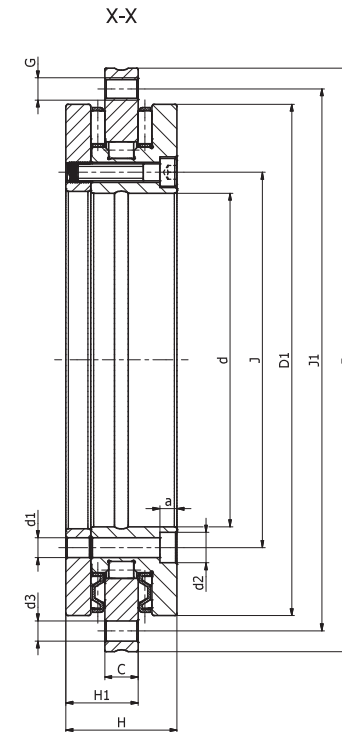
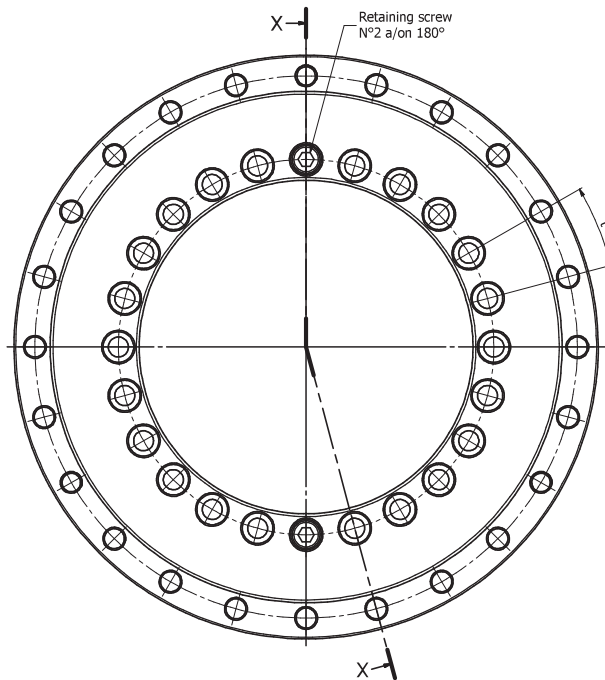




The main characteristics of this type of combined bearing are: high running precision, high rigidity at tilting moments and high carrying capacities. These features together with the wide dimensional range make this bearing the right solution for rotary tables, swivel heads, measuring instruments and automation systems.

The bearing is made of two axial needle cage assemblies while the radial part is full complement. The washer, the inner ring and the outer ring have holes to allow mounting by screws. These bearings can be relubricated through the inner ring and the outer ring. They are supplied with grease lubrication.



| Code            | DIMENSIONS |      |     |      |    |      |     |      | FIXING HOLES Inner |    |     |       | FIXING |       |       | PITCH |     |       |     |          | AXIAL LOAD |          | RADIAL LOAD |         | ng  |
|-----------------|------------|------|-----|------|----|------|-----|------|--------------------|----|-----|-------|--------|-------|-------|-------|-----|-------|-----|----------|------------|----------|-------------|---------|-----|
|                 | d          | D    | H   | H1   | C  | D1   | J   | J1   | d1                 | d2 | a   | Q.ty. | d3     | Q.ty. | Q.ty. | Q.ty. | t   | Q.ty. | Ma  | Dyn. [C] | Stat. [C]  | Dyn. [C] | Stat. [C]   |         |     |
|                 | mm         | mm   | mm  | mm   | mm | mm   | mm  | mm   | mm                 | mm | mm  | #     | mm     | #     | #     | #     | °   | #     | Kg  | Nm       | N          | N        | N           | N       |     |
| <b>SEL/Y050</b> | 50         | 126  | 30  | 20   | 10 | 105  | 63  | 116  | 5,6                | 0  | 0   | 10    | 5,6    | 12    | 2     | 12    | 30  | 0     | 16  | 9        | 56000      | 280000   | 28500       | 49500   | 440 |
| <b>SEL/Y080</b> | 80         | 146  | 35  | 23,4 | 12 | 130  | 92  | 138  | 5,6                | 10 | 4   | 10    | 4,6    | 12    | 2     | 12    | 30  | 0     | 24  | 5        | 38000      | 158000   | 44000       | 98000   | 350 |
| <b>SEL/Y100</b> | 100        | 185  | 38  | 25   | 12 | 161  | 112 | 170  | 5,6                | 10 | 5,4 | 16    | 5,6    | 15    | 2     | 18    | 20  | 3     | 41  | 9        | 73000      | 370000   | 52000       | 108000  | 280 |
| <b>SEL/Y120</b> | 120        | 210  | 40  | 26   | 12 | 185  | 135 | 195  | 7                  | 11 | 6,2 | 22    | 7      | 21    | 2     | 24    | 15  | 3     | 53  | 14       | 80000      | 445000   | 70000       | 148000  | 230 |
| <b>SEL/Y150</b> | 150        | 240  | 40  | 26   | 12 | 214  | 165 | 225  | 7                  | 11 | 6,2 | 34    | 7      | 33    | 2     | 36    | 10  | 3     | 62  | 14       | 85000      | 510000   | 77000       | 179000  | 210 |
| <b>SEL/Y180</b> | 180        | 280  | 43  | 29   | 15 | 244  | 194 | 260  | 7                  | 11 | 6,2 | 46    | 7      | 45    | 2     | 48    | 7,5 | 3     | 77  | 14       | 92000      | 580000   | 83000       | 209000  | 190 |
| <b>SEL/Y200</b> | 200        | 300  | 45  | 30   | 15 | 274  | 215 | 285  | 7                  | 11 | 6,2 | 46    | 7      | 45    | 2     | 48    | 7,5 | 3     | 97  | 14       | 98000      | 650000   | 89000       | 236000  | 170 |
| <b>SEL/Y260</b> | 260        | 385  | 55  | 36,5 | 18 | 345  | 280 | 365  | 9,3                | 15 | 8,2 | 34    | 9,3    | 33    | 2     | 36    | 10  | 3     | 183 | 34       | 109000     | 810000   | 102000      | 310000  | 130 |
| <b>SEL/Y325</b> | 325        | 450  | 60  | 40   | 20 | 415  | 342 | 430  | 9,3                | 15 | 8,2 | 34    | 9,3    | 33    | 2     | 36    | 10  | 3     | 250 | 34       | 186000     | 1710000  | 134000      | 415000  | 110 |
| <b>SEL/Y395</b> | 395        | 525  | 65  | 42,5 | 20 | 486  | 415 | 505  | 9,3                | 15 | 8,2 | 46    | 9,3    | 45    | 2     | 48    | 7,5 | 3     | 330 | 34       | 202000     | 2010000  | 133000      | 435000  | 90  |
| <b>SEL/Y460</b> | 460        | 600  | 70  | 46   | 22 | 560  | 482 | 580  | 9,3                | 15 | 8,2 | 46    | 9,3    | 45    | 2     | 48    | 7,5 | 3     | 450 | 34       | 217000     | 2300000  | 187000      | 650000  | 80  |
| <b>SEL/Y580</b> | 580        | 750  | 90  | 60   | 30 | 700  | 610 | 720  | 11,4               | 18 | 11  | 46    | 11,4   | 42    | 2     | 48    | 7,5 | 6     | 890 | 68       | 390000     | 3600000  | 211000      | 820000  | 80  |
| <b>SEL/Y650</b> | 650        | 870  | 122 | 78   | 34 | 800  | 680 | 830  | 14                 | 20 | 13  | 46    | 14     | 42    | 2     | 48    | 7,5 | 6     | 170 | 116      | 495000     | 5200000  | 415000      | 1500000 | 70  |
| <b>SEL/Y850</b> | 850        | 1095 | 124 | 80,5 | 37 | 1018 | 890 | 1060 | 18                 | 26 | 17  | 58    | 18     | 54    | 2     | 60    | 6   | 6     | 253 | 284      | 560000     | 6600000  | 475000      | 1970000 | 50  |
| <b>SEL/Y950</b> | 950        | 1200 | 132 | 86   | 40 | 1130 | 990 | 1060 | 18                 | 26 | 17  | 58    | 18     | 54    | 2     | 60    | 6   | 6     | 312 | 284      | 1040000    | 10300000 | 600000      | 2450000 | 40  |