



Brass & 316 internal BSPP hose couplings EN14420-5

We design DIN typed hose couplings by BSPP internal thread, made of forged brass and 316, sealing is achieved with a thread seal.



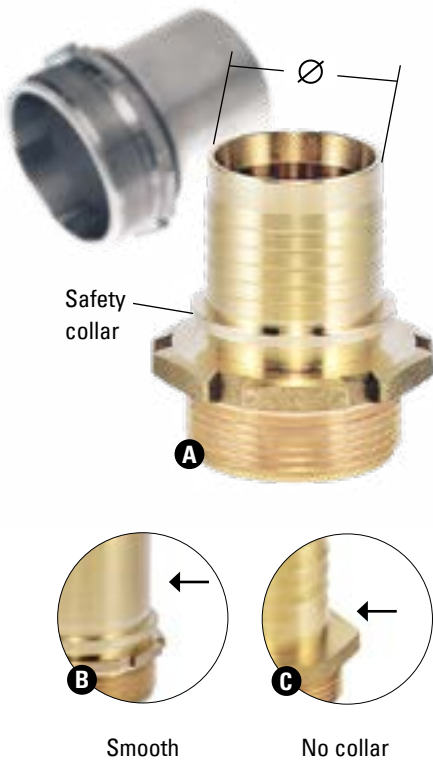
DN (MM)	THRD (INCH)	Ø (MM) ¹	TYPE	BR PUR	316 PTFE
15	1/2	14 / 13.4	A B C	022111.2	022181
20	3/4	20 / 19.4	A B C	022112.2	022182
25	1	26 / 25.4	A B C	022113.2	022183
32	1¼	33 / 32.4	A B C	022114.2	022184
40	1½	39 / 38.4	A B C	022115.2	022185
50	2	51 / 50.4	A B C	022116.2	022186
65	2½	64	A B C	022117.2	022187
80	3	76.1 / 76	A B C	022118.2	022188
100	4	101.6	A B C	022119.2	022189

DN (MM)	THRD (INCH)	Ø (MM)	TYPE	BR PUR	316 PTFE
15	1/2	13.4	A B C	022011	022021
20	3/4	19.4	A B C	022012	022022
25	1	25.4	A B C	022013	022023
32	1¼	32.4	A B C	022014	022024
40	1½	38.4	A B C	022015	022025
50	2	50.4	A B C	022016	022026
65	2½	63.4	A B C	022017	022027
80	3	75.4	A B C	022018	022028
100	4	100.3	A B C	022019	022029

DN (MM)	THRD (INCH)	Ø (MM) ¹	TYPE	BR PUR	316 PTFE
15	1/2	14 / 13.4	A B C	022111	022041
20	3/4	20 / 19.4	A B C	022112	022042
25	1	26 / 25.4	A B C	022113	022043
32	1¼	33 / 32.4	A B C	022114	022044
40	1½	39 / 38.4	A B C	022115	022045
50	2	51 / 50.4	A B C	022116	022046
65	2½	64	A B C	022117	022047
80	3	76.1 / 76	A B C	022118	022048
100	4	101.6	A B C	022119	022049

¹ Due to non-working surfaces, outside dia. on hose ends could differ slightly between aluminum and stainless steel parts.

Brass & 316 external BSPP hose couplings EN14420-5



We produce DIN typed hose couplings by BSPP external thread, made of forged brass and 316.

DN (MM)	THRD (INCH)	Ø (MM) ¹	TYPE	BR BSPP	316 BSPP
15	1/2	14 / 13.4	A B C	021111.2	021121.21
20	3/4	20 / 19.4	A B C	021112.2	021122.21
25	1	26 / 25.4	A B C	021113.2	021123.21
32	1¼	33 / 32.4	A B C	021114.2	021124.21
40	1½	39 / 38.4	A B C	021115.2	021125.21
50	2	51 / 50.4	A B C	021116.2	021126.21
65	2½	64 / 63.4	A B C	021117.2	021127.21
80	3	76.1 / 75.4	A B C	021118.2	021128.21
100	4	101.6 / 100.3	A B C	021119.2	021129.21

DN (MM)	THRD (INCH)	Ø (MM)	TYPE	BR BSPP	316 BSPP
15	1/2	13.4	A B C	021011	021021
20	3/4	19.4	A B C	021012	021022
25	1	25.4	A B C	021013	021023
32	1¼	32.4	A B C	021014	021024
40	1½	38.4	A B C	021015	021025
50	2	50.4	A B C	021016.9	021026
65	2½	63.4	A B C	021017.1	021027
80	3	75.4	A B C	021018	021028
100	4	100.3	A B C	021019	021029

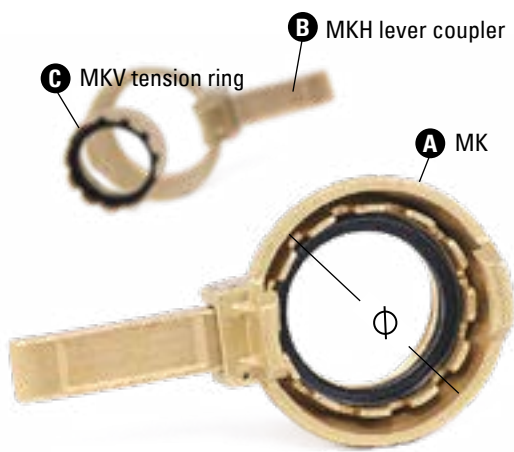
DN (MM)	THRD (INCH)	Ø (MM) ¹	TYPE	BR BSPP	316 BSPP
15	1/2	14 / 13.4	A B C	021111	021121
20	3/4	20 / 19.4	A B C	021112	021122
25	1	26 / 25.4	A B C	021113	021123
32	1¼	33 / 32.4	A B C	021114	021124
40	1½	39 / 38.4	A B C	021115	021125
50	2	51 / 50.4	A B C	021116	021126
65	2½	64	A B C	021117	021127
80	3	76.1 / 76	A B C	021118	021128
100	4	101.6	A B C	021119	021129.1

¹ Due to non-working surfaces, outside dia. on hose ends could differ slightly between aluminum and stainless steel parts.



Brass & 316 MK BSPP lever coupler EN14420-6

We design MK lever coupler and tension ring by BSPP internal thread, made of forged brass and casted 316, sealing is achieved with gaskets on both ends.



DN (MM)	THRD (INCH)	Ø (MM)	TYPE	BR NBR/NBR	316 CSM/PTFE
50	G2 × 11	70.5	A B C	011011	011021
80	G3 × 11	102	A B C	011012	011022
100	G4 × 11	128	A B C	011013	011023

DN (MM)	(INCH)	Ø (MM)	TYPE	BR ¹	316 ¹
50	2	70.5	A B C	011011.2	011021.2
80	3	102	A B C	011012.2	011022.2
100	4	-	-	-	-

DN (MM)	THRD (INCH)	Ø (MM)	TYPE	BR NBR/NBR	316 CSM/PTFE
50	G2 × 11	70.5	A B C	011011.17	011021.1
80	G3 × 11	102	A B C	011012.17	011022.1
100	G4 × 11	-	A B C	-	-

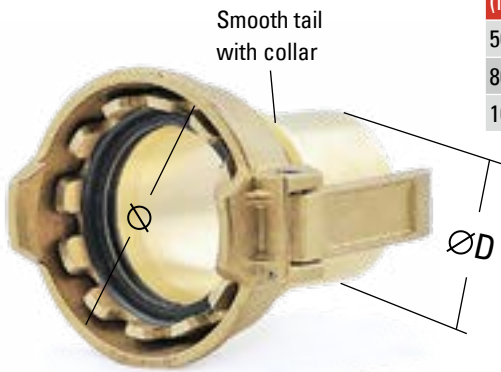


DN (MM)	THRD (INCH)	Ø (MM)	TYPE	BR NBR/NBR	316 CSM/PTFE
50	G2 × 11	70.5	D E	-	011021.5
80	G3 × 11	102	D E	-	011022.5
100	G4 × 11	128	D E	-	011023.5

DN (MM)	THRD (INCH)	Ø (MM)	TYPE	BR NBR/NBR	316 CSM/PTFE
50	G2 × 11	70.5	D E	-	-
80	G3 × 11	102	D E	-	011102
100	G4 × 11	128	D E	-	011103

¹ We offer MK DN 100 only assembled, not applicable with MKV and MKH separately.

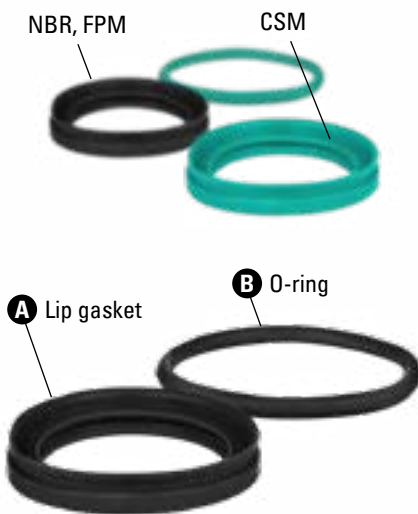
Brass & 316 one-piece MKS hose coupler EN14420-6



We offer MKS lever coupler by an integrated hose tail, made of brass and 316. Less potential leakage than combination of a coupler plus a thread fitting.

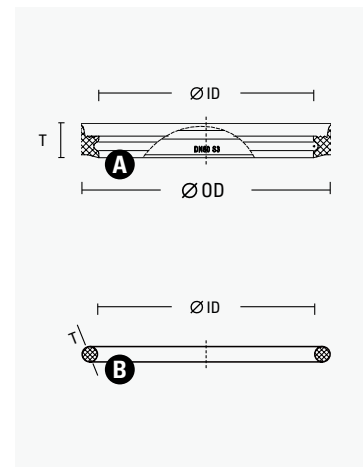
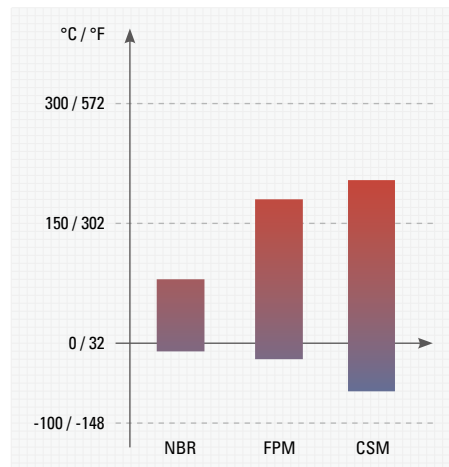
DN (MM)	Ø (INCH)	Ø (MM)	Ø D (MM)	BR NBR	316 CSM
50	2	70.5	50.4	011042	011052
80	3	102	75.4	011044	011054
100	4	-	-	-	-

Spare part MK lip gasket and O-ring, NBR FPM CSM



We offer gasket DN 50 & 80 and O-ring DN 100 as spare parts for TW MK couplers made from materials NBR, FPM and CSM. Hardness in Shore A is indicated.

GASKET	SHORE A	TEMP (°C)	TEMP (°F)	COMPOUND
NBR	60 ± 5	-10 / 80	14 / 176	acrylonitrile butadiene
FPM	70 ± 5	-20 / 180	-4 / 356	fluorocarbon
CSM	70 ± 5	-60 / 204	-76 / 399	chlorosulfonated polyethylene



SIZE (INCH)	Ø ID (MM)	Ø OD (MM)	T (MM)	TYPE	NBR BLACK	FPM BLACK	CSM GREEN
50 (2)	55.5	62.2	10	A B	019081.9	019061.9	019071.9
80 (3)	75	92.5	12	A B	019082.9	019062.9	019072.9
100 (4)	99	-	7	A B	019083	019063	019073

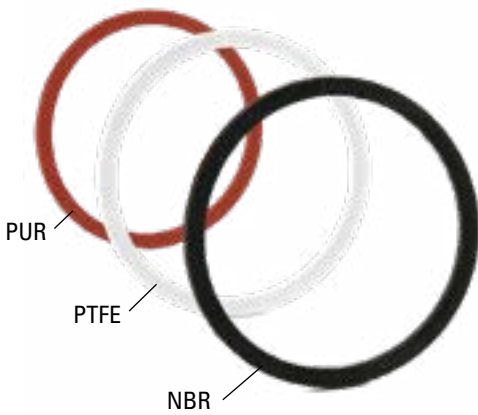
Brass & 316 VK BSPP thread adapter EN14420-6



We produce VK thread adapter by BSPP internal thread, made of forged brass and casted 316 which seals against the tension ring in MK part.

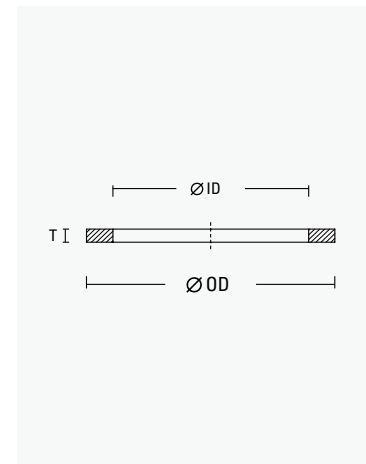
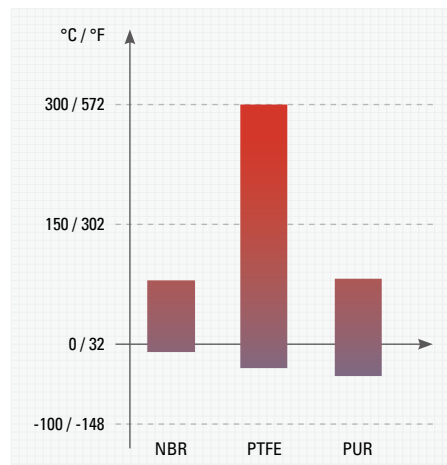
DN (MM)	THRD (INCH)	Ø (MM)	BR NBR	316 PTFE
50	G2 × 11	48	012011	012021
80	G3 × 11	76	012012	012022
100	G4 × 11	95	012013	012023

Spare part thread seal, fitted in TW VK & MK tension ring



We fit in thread seal in DIN standard TW couplings, securing sealing function with an outside threaded counterpart.

GASKET	SHORE A	TEMP (°C)	TEMP (°F)	COMPOUND
NBR	60 ± 5	-10 / 80	14 / 176	acrylonitrile butadiene
PTFE	90 ± 5	-30 / 300	-22 / 572	poly tetrafluorethylene
PUR	70 ± 5	-40 / 82	-40 / 180	polyurethane



SIZE (INCH)	Ø ID (MM)	Ø OD (MM)	T (MM)	NBR BLACK	PTFE WHITE	PUR BROWN
50 (2)	49	60.2	2.0	022126.3	022126.2	022126.1
80 (3)	77	88.3	3.0	022128.3	022128.2	022128.1
100 (4)	100	114.3	3.0	022129.3	022129.2	022129.1

Brass & 316 one-piece VKS hose adapter EN14420-6



We offer VKS male adapter by an integrated hose tail, made of brass and 316. Less potential leakage than combination of an adapter plus a thread fitting.

DN (MM)	(INCH)	Ø (MM)	Ø D (MM)	BR	316
50	2	48	50.4	012042.1	012052.1
80	3	76	75.4	012044.1	012054.1
100	4	-	-	-	-

Brass, 316, PP & Aluminum VB plug EN14420-6



We produce in compliance with EN14420-6 VB plugs made of brass, 316, polypropylene and aluminum, chain attachment optional.

DN (MM)	(INCH)	Ø (MM)	BR	316	PP	ALU
50	2	48.5	013011	013021	013061	013051
80	3	77.5	013012	013022	013062	013052
100	4	99.5	013013	013023	013063	013053

Following items have chain attachment, brass, 316 and aluminum with stainless steel chain, PP with plated steel one.

DN (MM)	(INCH)	Ø (MM)	BR SS CHAIN	316 SS CHAIN	PP CS CHAIN	ALU SS CHAIN
50	2	48.5	013011.1	013021.1	013061.1	013051.21
80	3	77.5	013012.1	013022.1	013062.1	013052.21
100	4	99.5	013013.1	013023.1	013063.1	013053.21

Brass, 316 & Aluminum MB dust cap EN14420-6



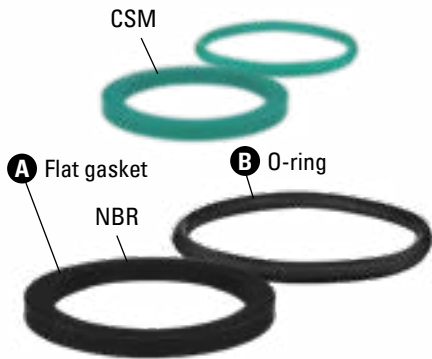
We produce in compliance with EN14420-6 MB plugs in brass, 316 and aluminum fitted with flat gasket, chain attachment optional.

DN (MM)	Ø (INCH)	Ø (MM)	BR NBR	316 CSM	ALU NBR
50	2	70.5	014011	014021	014051
80	3	102	014012	014022	014052
100	4	128	014013	014023	014053

Following items have chain attachment, 316 and aluminum with stainless steel chain, brass with plated steel one.

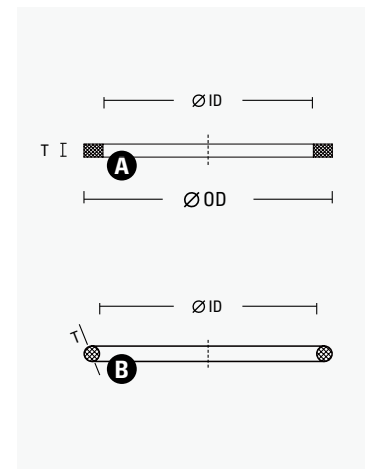
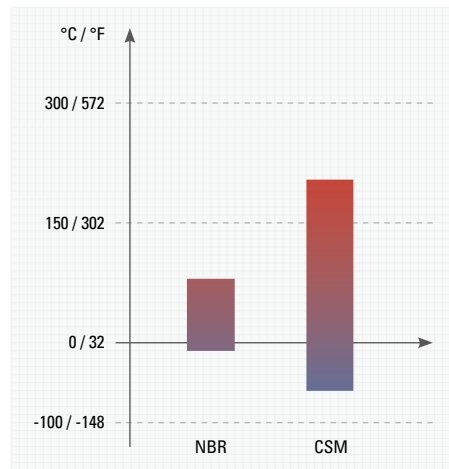
DN (MM)	Ø (INCH)	Ø (MM)	BR NBR CS CHAIN	316 CSM SS CHAIN	ALU NBR SS CHAIN
50	2	70.5	014011.2	014021.1	014051.1
80	3	102	014012.2	014022.1	014052.1
100	4	128	014013.2	014023.1	014053.1

Spare part MB flat gasket and O-ring, NBR CSM



We offer gasket DN 50 & 80 and O-ring DN 100 as spare parts for TW MB dust caps made of materials NBR and CSM. Hardness in Shore A is indicated.

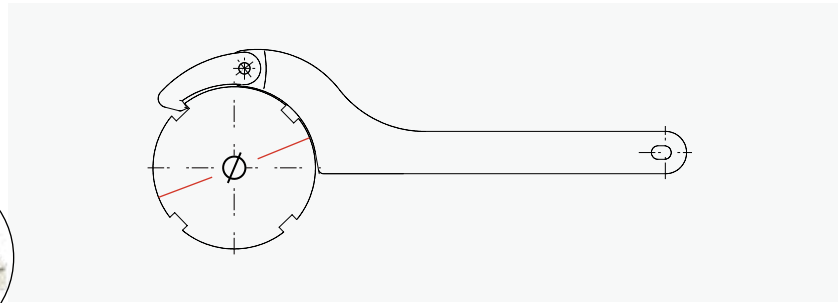
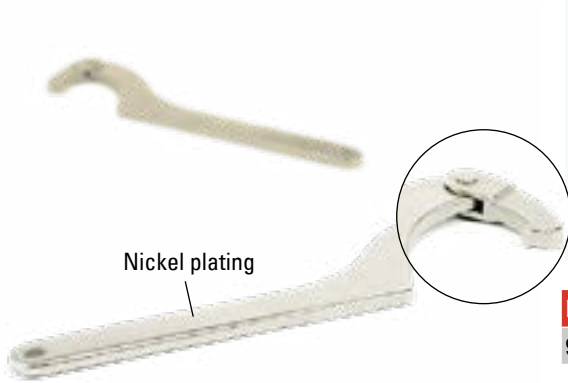
GASKET	SHORE A	TEMP (°C)	TEMP (°F)	COMPOUND
NBR	60 ± 5	-10 / 80	14 / 176	acrylonitrile butadiene
CSM	70 ± 5	-60 / 204	-76 / 399	chlorosulfonated polyethylene



SIZE (INCH)	Ø ID (MM)	Ø OD (MM)	T (MM)	TYPE	NBR BLACK	CSM GREEN
50 (2)	49	61.5	5	A B	019051	019041
80 (3)	77	92.0	6	A B	019052	019042
100 (4)	99	-	7	A B	019083	019073

Nickel steel & 304 hinged hook wrench 90-155 mm

We design hook wrenches (spanners) with an adjusting hinge to work on slots in nuts and couplings, made in carbon steel nickel plating and SS304.



RANGE Ø (MM)	(INCH)	STEEL	304
90 - 155	3.54 - 6.10	084122	084122.1

CS & 316 hose tail by swivel flange, EN14420-4



We produce EN14420-4 compliant hose tail, smooth and serrated, by swivel (loose) flange connection, EN1092-1 and optional ASA.

DN (MM)	Ø (INCH)	Ø (MM)	FLG EN1092-1	TYPE	CS	316
15	1/2	13	PN40	A B	025031	025231
19	3/4	19	PN40	A B	025032	025232
25	1	25	PN40	A B	025033	025233
32	1¼	32	PN40	A B	025034	025234
38	1½	38	PN40	A B	025035	025235
38	1½	40	PN40	A B	025036	025236
50	2	50	PN16	A B	025037	025237
50	2	50.7	PN16	A B	025037.81	025237.81
65	2½	63	PN16	A B	025038	025238
65	2½	65	PN16	A B	025039	025239
75	3	75	PN16	A B	025040	025240
75	3	80	PN16	A B	025041	025241
100	4	100.3	PN16	A B	025042	025242
100	4	100	PN16	A B	025042.81	025242.81
100	4	101.9	PN16	A B	025042.82	025242.82
125	5	125	PN16	A B	025043	025243
150	6	150	PN16	A B	025044	025244
200	8	200.4	PN10	A B	025045	025245

DN (MM)	Ø (INCH)	Ø (MM)	FLG EN1092-1	TYPE	CS	316
15	1/2	13	PN40	A B	027031	027231
19	3/4	19	PN40	A B	027032	027232
25	1	25	PN40	A B	027033	027233
32	1¼	32	PN40	A B	027034	027234
38	1½	38	PN40	A B	027035	027235
38	1½	40	PN40	A B	027036	027236
50	2	50	PN16	A B	027037	027237
50	2	50.7	PN16	A B	027037.81	027237.81
65	2½	63	PN16	A B	027038	027238
65	2½	65	PN16	A B	027039	027239
75	3	75	PN16	A B	027040	027240
75	3	80	PN16	A B	027041	027241
100	4	100.3	PN16	A B	027042	027242
100	4	100	PN16	A B	027042.81	027242.81
100	4	101.9	PN16	A B	027042.82	027242.82
125	5	125	PN16	A B	027043	027243
150	6	150	PN16	A B	027044	027244
200	8	200.4	PN10	A B	027045	027245

CS & 316 hose tail by fixed flange, EN14420-4



We produce EN14420-4 compliant hose tail, smooth and serrated, by swivel (loose) flange connection, EN1092-1 and optional ASA.

DN (MM)	Ø (INCH)	Ø (MM)	FLG EN1092-1	TYPE	CS	316
15	1/2	13	PN40	C D	026031	026231
19	3/4	19	PN40	C D	026032	026232
25	1	25	PN40	C D	026033	026233
32	1¼	32	PN40	C D	026034	026234
38	1½	38	PN40	C D	026035	026235
38	1½	40	PN40	C D	026036	026236
50	2	50	PN16	C D	026037	026237
50	2	50.7	PN16	C D	026037.81	026237.81
65	2½	63	PN16	C D	026038	026238
65	2½	65	PN16	C D	026039	026239
75	3	75	PN16	C D	026040	026240
75	3	80	PN16	C D	026041	026241
100	4	100.3	PN16	C D	026042	026242
100	4	100	PN16	C D	026042.81	026242.81
100	4	101.9	PN16	C D	026042.82	026242.82
125	5	125	PN16	C D	026043	026243
150	6	150	PN16	C D	026044	026244
200	8	200.4	PN10	C D	026045	026245

DN (MM)	Ø (INCH)	Ø (MM)	FLG EN1092-1	TYPE	CS	316
15	1/2	13	PN40	C D	028031	028231
19	3/4	19	PN40	C D	028032	028232
25	1	25	PN40	C D	028033	028233
32	1¼	32	PN40	C D	028034	028234
38	1½	38	PN40	C D	028035	028235
38	1½	40	PN40	C D	028036	028236
50	2	50	PN16	C D	028037	028237
50	2	50.7	PN16	C D	028037.81	028237.81
65	2½	63	PN16	C D	028038	028238
65	2½	65	PN16	C D	028039	028239
75	3	75	PN16	C D	028040	028240
75	3	80	PN16	C D	028041	028241
100	4	100.3	PN16	C D	028042	028242
100	4	100	PN16	C D	028042.81	028242.81
100	4	101.9	PN16	C D	028042.82	028242.82
125	5	125	PN16	C D	028043	028243
150	6	150	PN16	C D	028044	028244
200	8	200.4	PN10	C D	028045	028245