



UZUN
HİDROLİK

UZUN HİDROLİK SANAYİ ve TİCARET A.Ş.

STANDARD HYDRAULIC MANIFOLD



Contact : Istanbul Deri OSB. Karadeniz Cad.

13-2 Parsel No : 11

Orhanlı/TUZLA/ISTANBUL/TURKEY

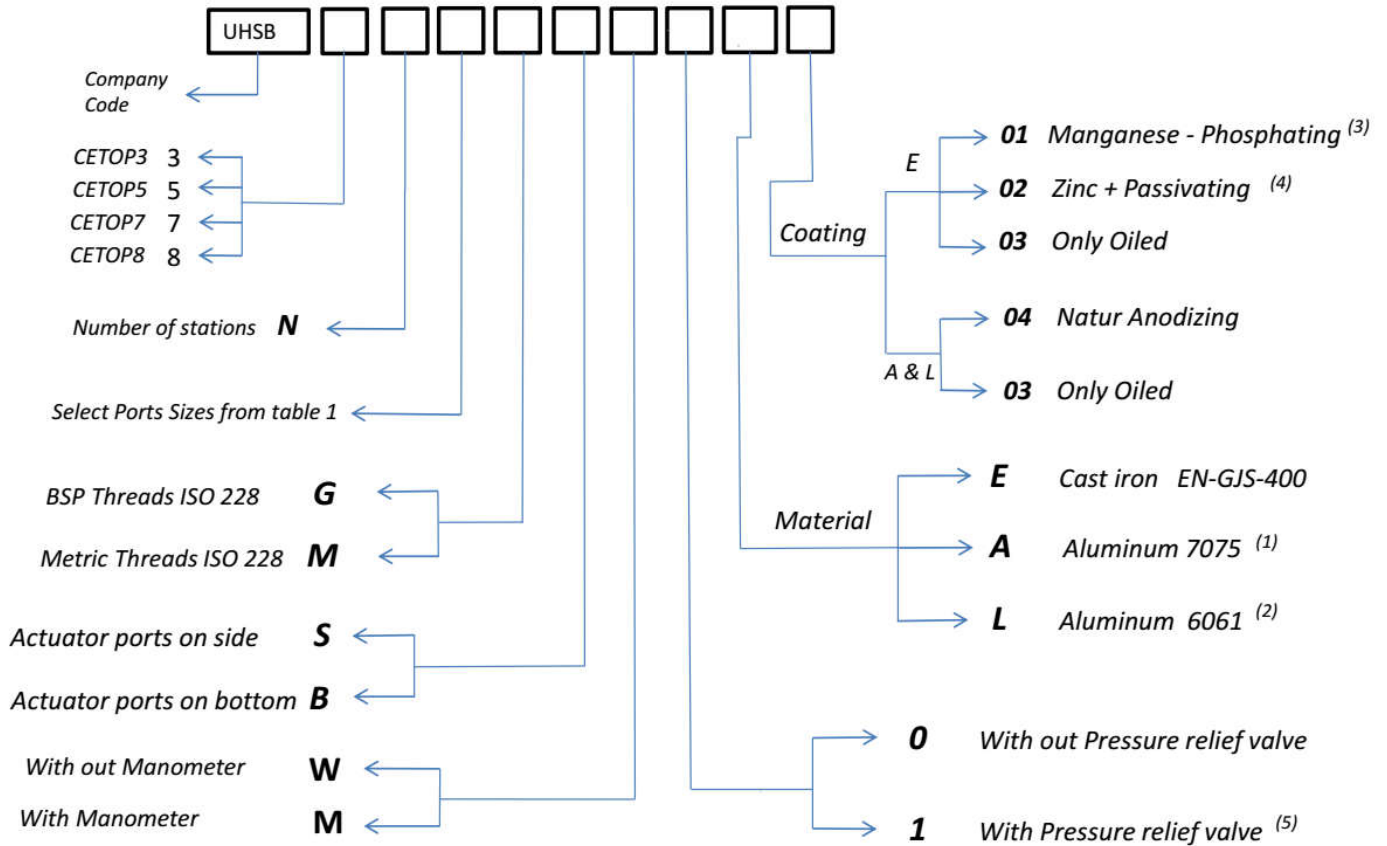
Phone : (0216) 394 17 36-37

Fax : (0216) 394 22 92

Mail : info@uzunhidrolik.com

Web: www.uzunhidrolik.com

ENCODING ORDER



Example of Coding :

UHSB – 3 – 2 – 01 – G – B – W – 1 – E – 02 .

- (1) ISO ALZn5,5MgCu - EN AW 7075
- (2) ISO ALMg1SiCu - EN AW 6061
- (3) DIN EN 12476 Standard, Manganese thickness 4-6 µm
- (4) Blue / Yellow - Fe/Zn 8-12/ A,B,C - ISO 2081:2008
- (5) Please contact us to define pressure relief valve type

TABLE 1						
Type Of Thread	BSP Threads ISO 228		Metric Threads ISO 228		CETOP NO.	Code
Port	P1,P2,T1,T2	A1,A2...,B1,B2...	P1,P2,T1,T2	A1,A2...,B1,B2...		
Size	G 1/2"	G 3/8"	M18 X 1.5	M16 X 1.5	CETOP3	01
	G 3/4"	G 1/2"	M27 X 2	M22 X 1.5		02
	G 3/4"	G 1/2"	M27 X 2	M22 X 1.5	CETOP 5	03
	G 1"	G 3/4"	M33 X 2	M27 X 2		04
	G1 1/4"	G 1"	M42 X 2	M33 X 2	CETOP 7	05
	G1 1/2"	G1 1/4"	M48 X 2	M42 X 2		06
	G1 1/2"	G1 1/4"	M48 X 2	M42 X 2	CETOP 8	07

Remarks:

- 1- Please be attention material type should be chosen according to work enviroment and pressure.
EN-GJS-400 and Aluminum 7075 can afford pressure until 320 bar, while Aluminum 6061 can afford pressure until 210 bar.
- 2- All weight calculations in the catalog are just for Cast iron EN-GJS-400.
- 3- Fe/Zn 8-12/ A,B,C - ISO 2081:2008
Zinc thickness 8-12 µm,C type is a thick film passivating.

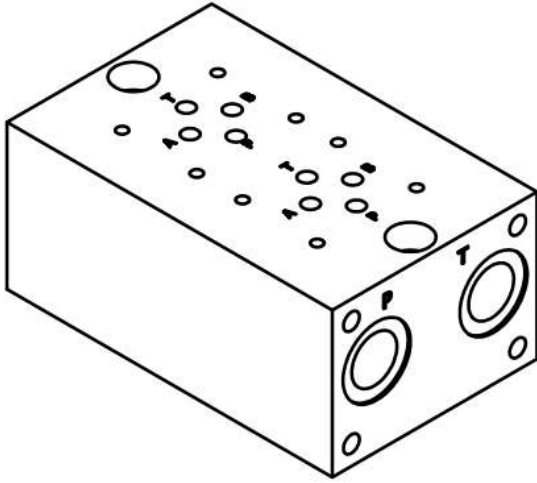


UZUN
HİDROLİK
SANAYİ ve TİCARET A.Ş.

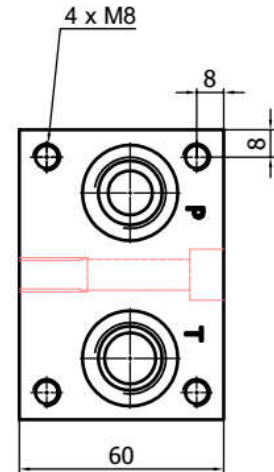
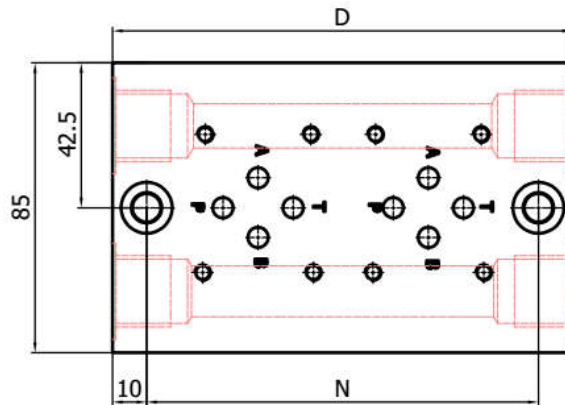
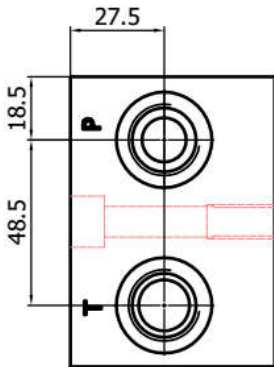
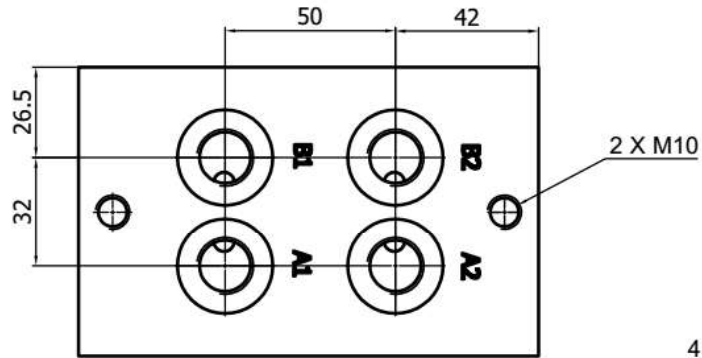
Series Connection Plate NG 6
P+T G1/2" -On the front A+B G3/8" -On the bottom

ISO 4401
CETOP 3

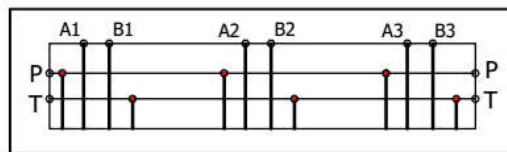
Fastening of the Plate
4xM8 On the front 2xM10 On the bottom



Actuator Ports on the bottom



Number of stations	D	N	Weight (Kg)
1	85	65	3,21
2	135	115	5,10
3	185	165	6,98
4	235	215	8,87
5	285	265	10,75
6	335	315	12,64
7	385	365	14,53
8	435	415	16,42



CODE : UHSB-3-2-01-G-B-W-0-X-X

* Please define X



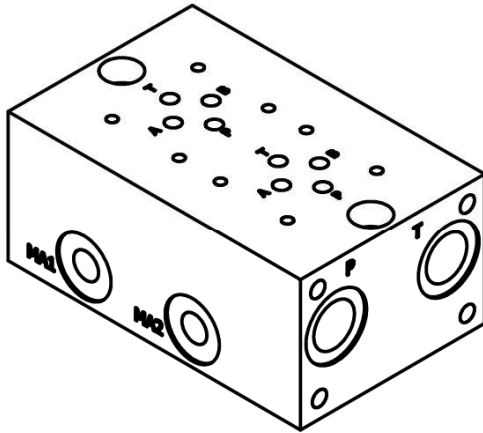
UZUN
HİDROLİK
SANAYİ ve TİCARET A.Ş.

Series Connection Plate NG 6
P+T G1/2" -On the front A+B G3/8" -On the bottom

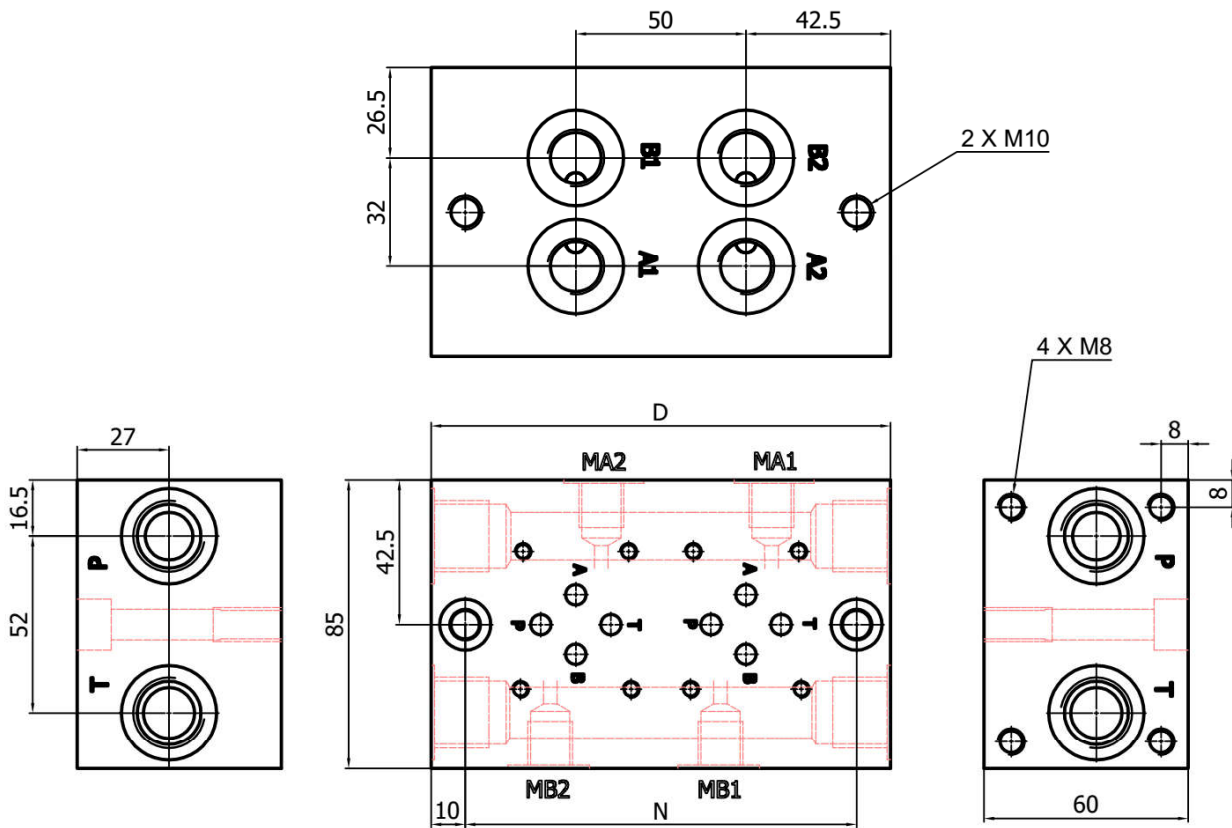
ISO 4401
CETOP 3

Fastening of the Plate
4xM8 On the front 2xM10 On the bottom

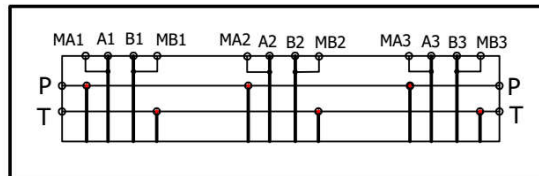
Pressure test points G 1/4 on the side



Actuator Ports on the bottom



Number of stations	D	N	Weight (Kg)
1	85	65	3,21
2	135	115	5,1
3	185	165	6,98
4	235	215	8,87
5	285	265	10,75
6	335	315	12,64
7	385	365	14,53
8	435	415	16,42



CODE : UHSB-3-2-01-G-B-M-0-X-X

* Please define X



UZUN
HİDROLİK
SANAYİ ve TİCARET A.Ş.

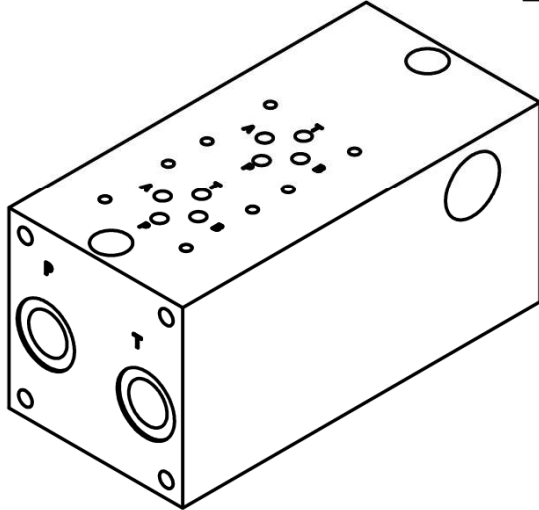
Series Connection Plate NG 6 with DBD - Cavity
P+T G1/2" -On the front A+B G3/8" -On the bottom

ISO 4401
CETOP 3

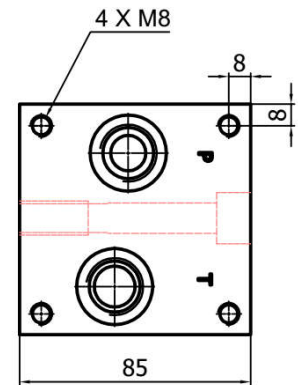
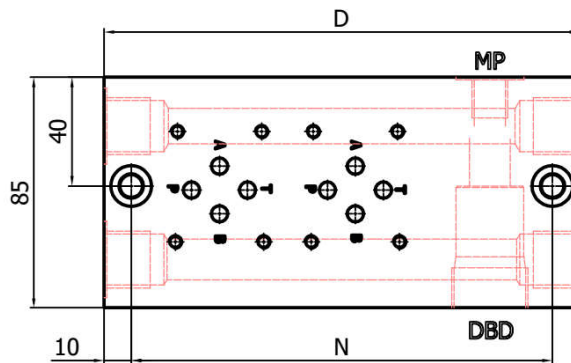
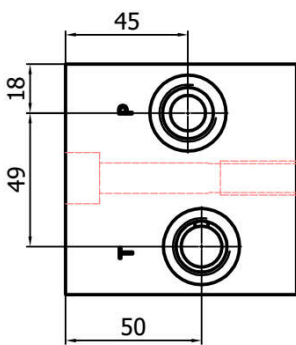
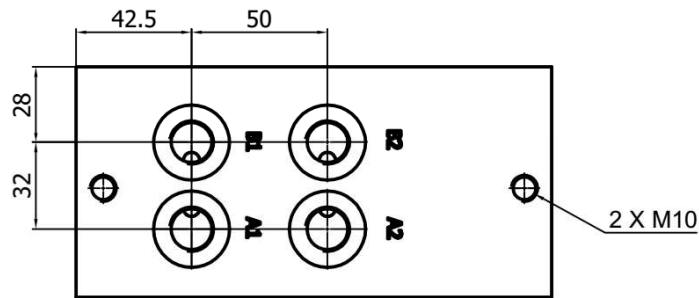
Fastening of the Plate
4xM8 On the front 2xM10 On the bottom

DBD Cavity
VA Pressure relief valve

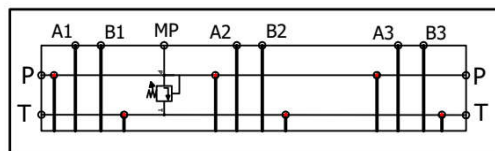
Pressure test point MP G 1/4 on the side



Actuator Ports on the bottom



Number of stations	D	N	Weight (Kg)
1	125	105	6,68
2	175	155	9,36
3	225	205	12,03
4	275	255	14,70
5	325	305	17,38
6	375	355	20,05
7	425	405	22,72
8	475	455	25,40



CODE : UHSB-3-2-01-G-B-M-1-X-X

* Please define X

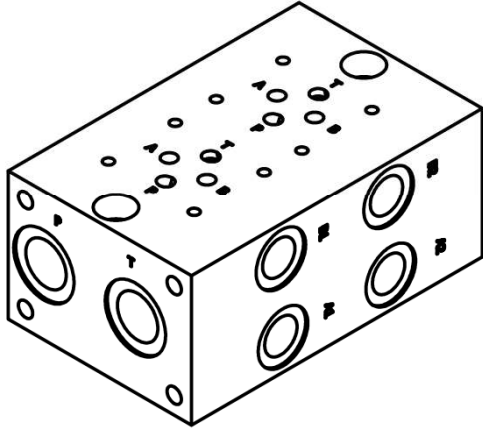


UZUN
HİDROLİK
SANAYİ ve TİCARET A.Ş.

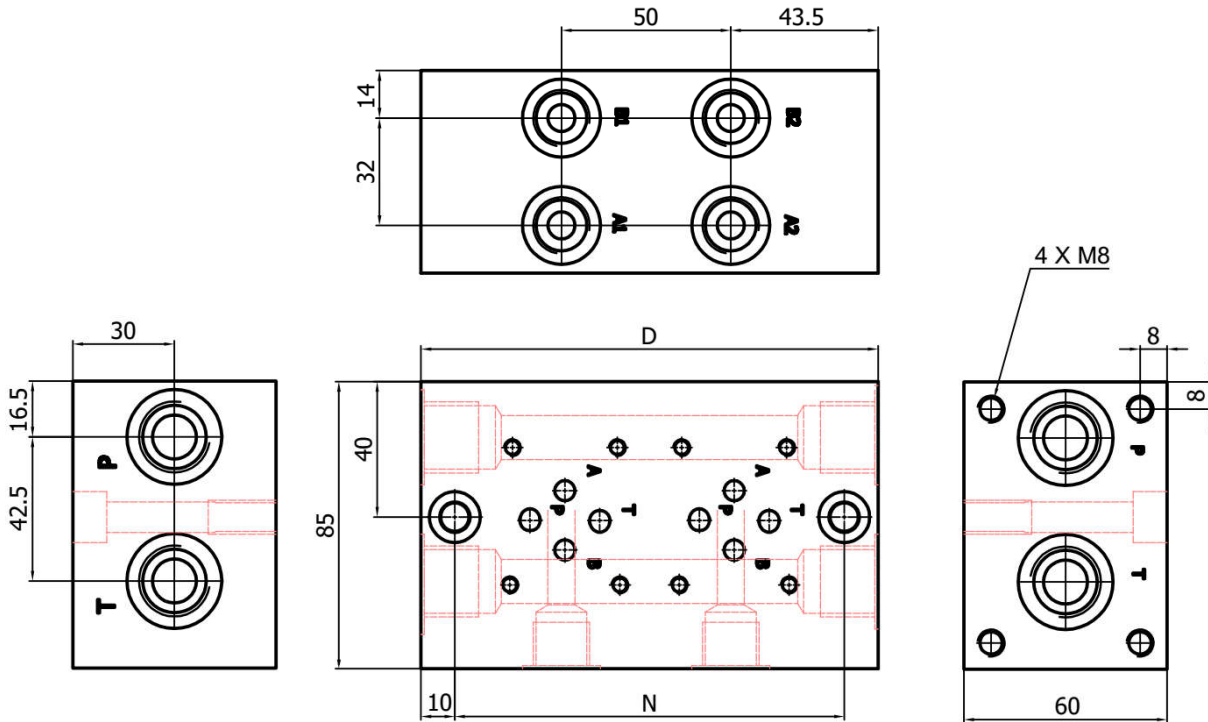
Series Connection Plate NG 6
P+T G1/2" -On the front A+B G3/8" -On the Side

ISO 4401
CETOP 3

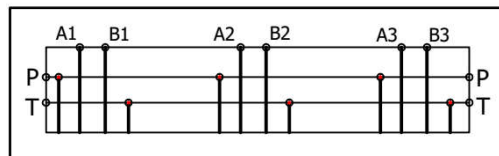
Fastening of the Plate
4xM8 On the front 2xM10 On the bottom



Actuator Ports on the Side



Number of stations	D	N	Weight (Kg)
1	85	65	3,21
2	135	115	5,1
3	185	165	6,98
4	235	215	8,87
5	285	265	10,75
6	335	315	12,64
7	385	365	14,53
8	435	415	16,42



CODE : UHSB-3-2-01-G-S-W-0-X-X

* Please define X



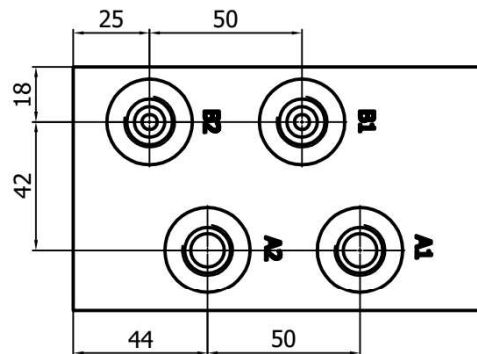
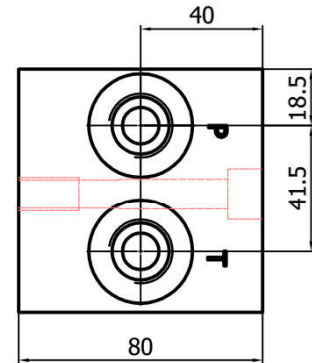
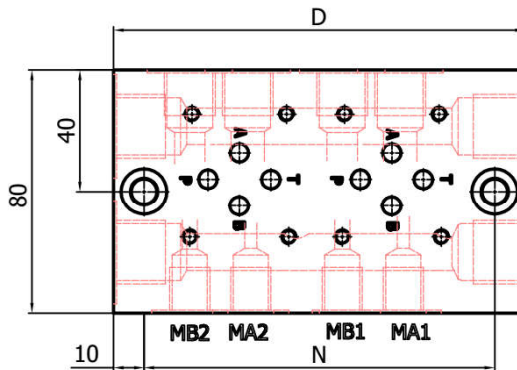
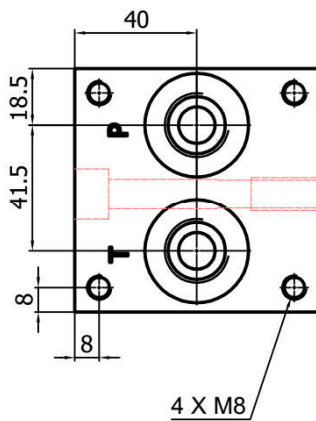
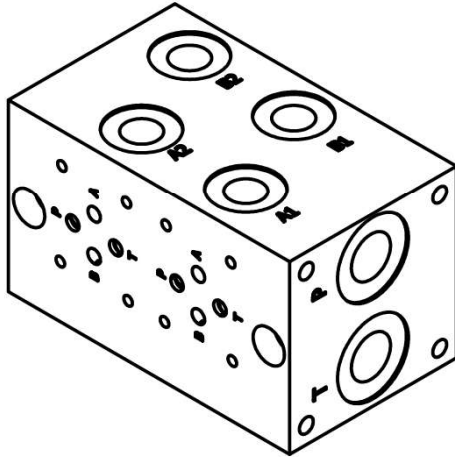
UZUN
HİDROLİK
SANAYİ ve TİCARET A.Ş.

Series Connection Plate NG 6
P+T G1/2" -On the front A+B G3/8" -On the Side

ISO 4401
CETOP 3

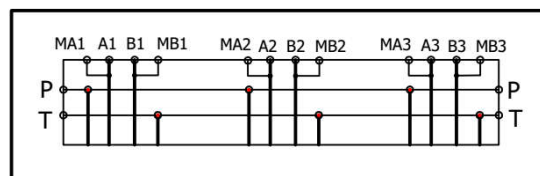
Fastening of the Plate
4xM8 On the front 2xM10 On the bottom

Pressure test points G 1/4 on the side



Actuator Ports on the Side

Number of stations	D	N	Weight (Kg)
1	85	65	4,02
2	135	115	6,40
3	185	165	8,76
4	235	215	11,13
5	285	265	13,50
6	335	315	15,87
7	385	365	18,23
8	435	415	20,60



CODE : UHSB-3-2-01-G-S-M-0-X-X

* Please define X



UZUN
HİDROLİK
SANAYİ ve TİCARET A.Ş.

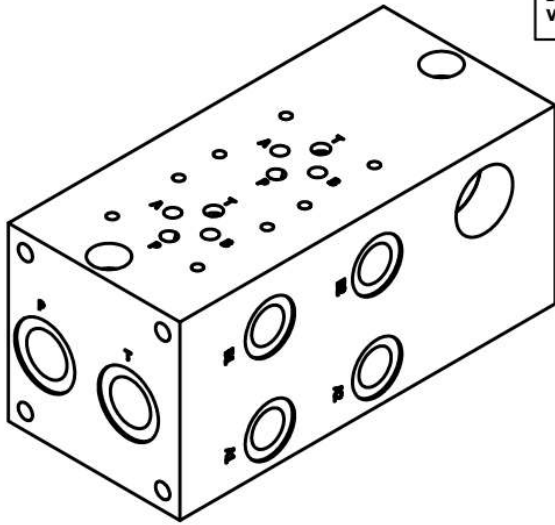
Series Connection Plate NG 6 with DBD - Cavity
P+T G1/2" -On the front A+B G3/8" -On the Side

ISO 4401
CETOP 3

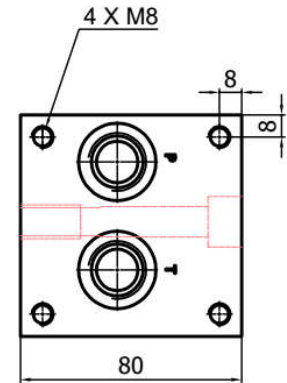
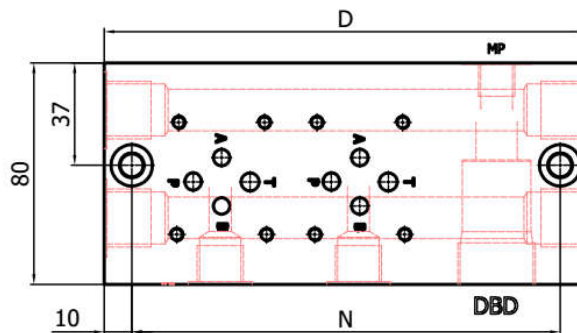
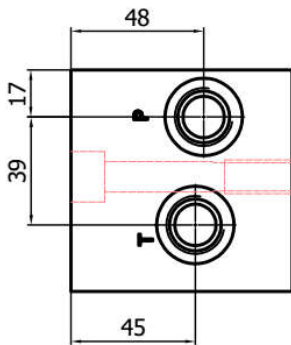
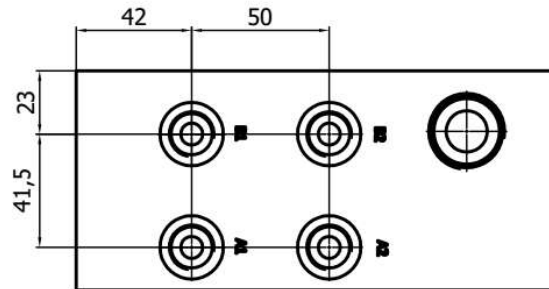
Fastening of the Plate
4xM8 On the front 2xM10 On the bottom

DBD Cavity
VA Pressure relief valve

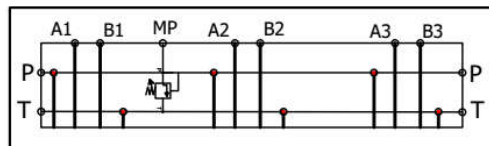
Pressure test point MP G 1/4 on the side



Actuator Ports on the Side



Number of stations	D	N	Weight (Kg)
1	125	105	5,92
2	175	155	8,29
3	225	205	10,66
4	275	255	13,02
5	325	305	15,39
6	375	355	17,76
7	425	405	20,13
8	475	455	22,50



CODE : UHSB-3-2-01-G-S-M-1-X-X

* Please define X

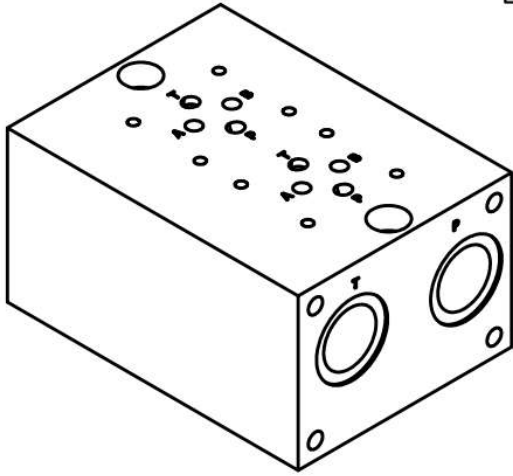


UZUN
HİDROLİK
SANAYİ ve TİCARET A.Ş.

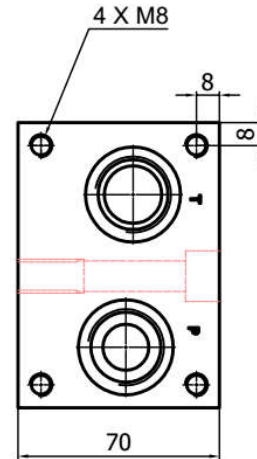
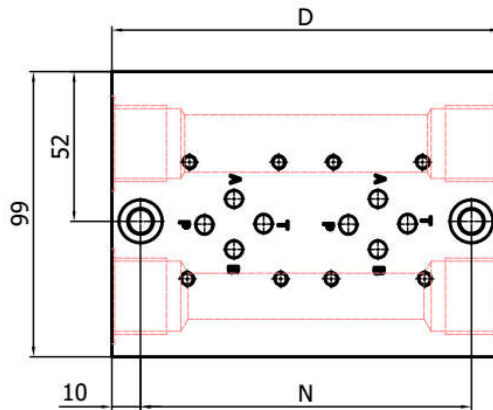
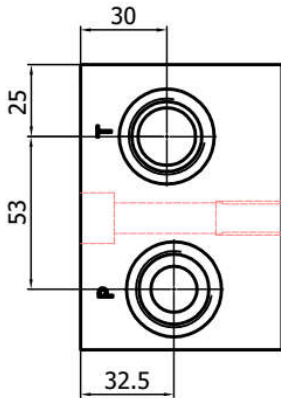
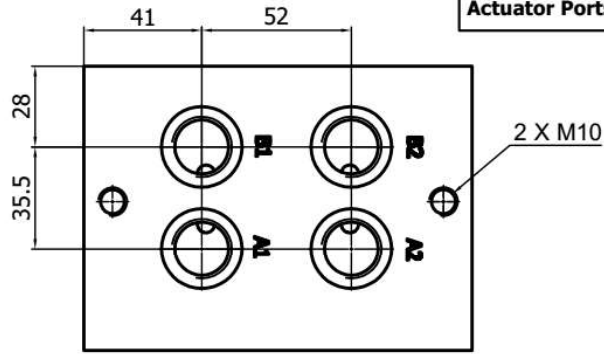
Series Connection Plate NG 6
P+T G3/4" -On the front A+B G1/2" -On the bottom

ISO 4401
CETOP 3

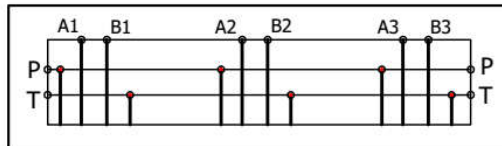
Fastening of the Plate
4xM8 On the front 2xM10 On the bottom



Actuator Ports on the bottom



Number of stations	D	N	Weight (Kg)
1	85	65	4,36
2	135	115	6,92
3	185	165	9,49
4	235	215	12,05
5	285	265	14,62
6	335	315	17,18
7	385	365	19,74
8	435	415	22,31



CODE : UHSB-3-2-02-G-B-W-0-X-X

* Please define X



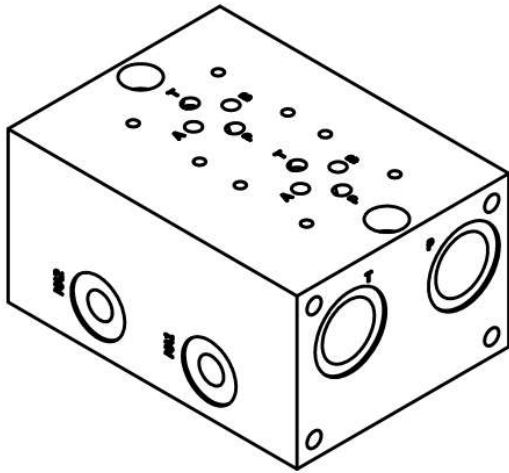
UZUN
HİDROLİK
SANAYİ ve TİCARET A.Ş.

Series Connection Plate NG 6
P+T G3/4" -On the front A+B G1/2" -On the bottom

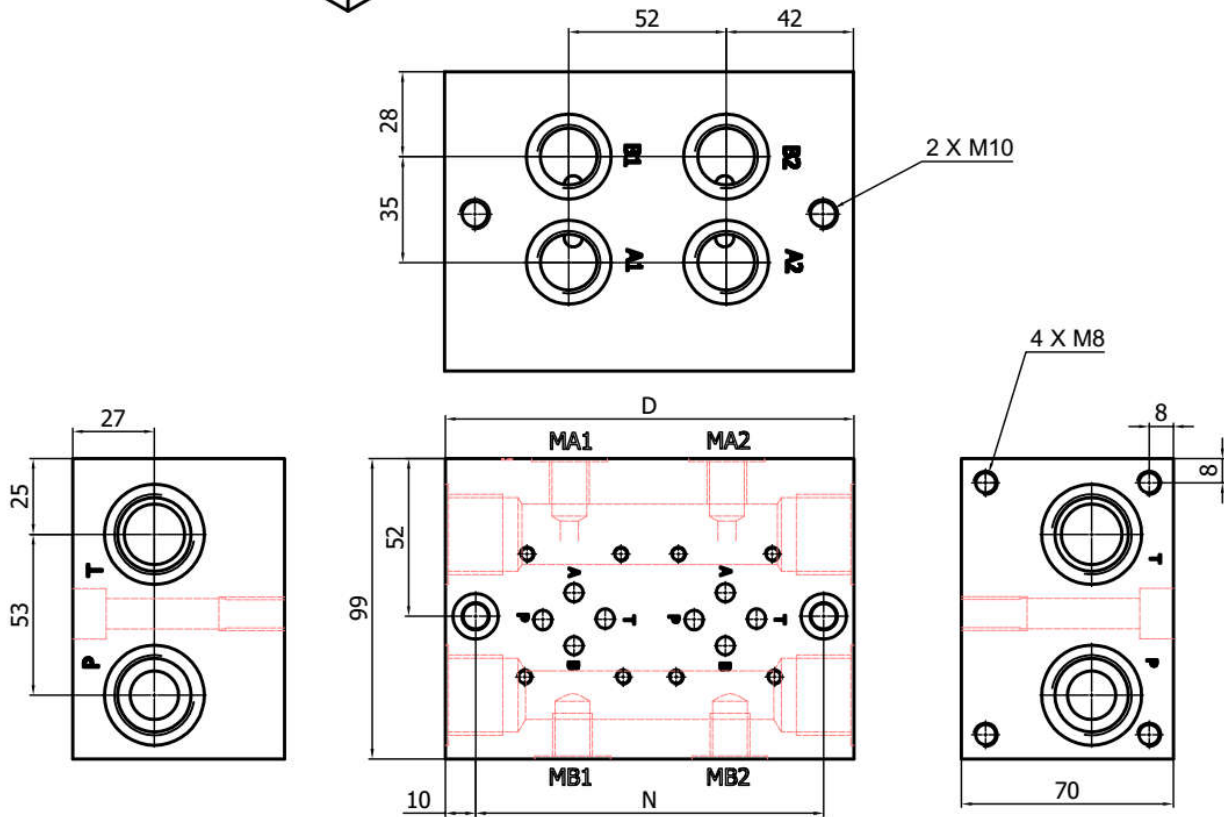
ISO 4401
CETOP 3

Fastening of the Plate
4xM8 On the front 2xM10 On the bottom

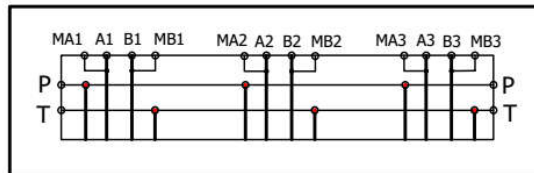
Pressure test points G 1/4 on the side



Actuator Ports on the bottom



Number of stations	D	N	Weight (Kg)
1	85	65	4,36
2	135	115	6,92
3	185	165	9,49
4	235	215	12,05
5	285	265	14,62
6	335	315	17,18
7	385	365	19,74
8	435	415	22,31



CODE : UHSB-3-2-02-G-B-M-0-X-X

* Please define X



UZUN
HİDROLİK
SANAYİ ve TİCARET A.Ş.

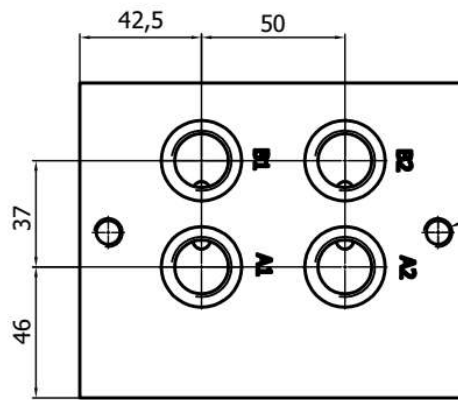
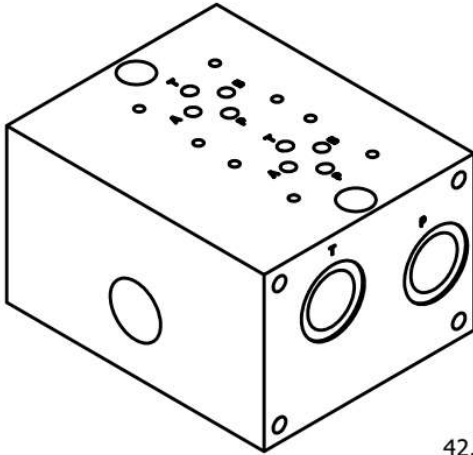
Series Connection Plate NG 6 with DBD - Cavity
P+T G3/4" -On the front A+B G1/2" -On the bottom

ISO 4401
CETOP 3

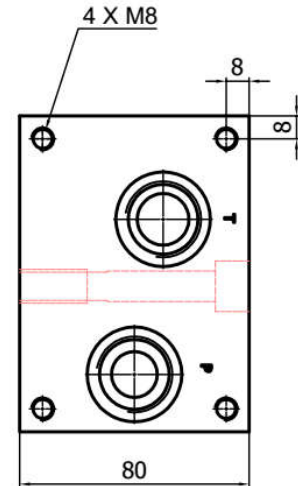
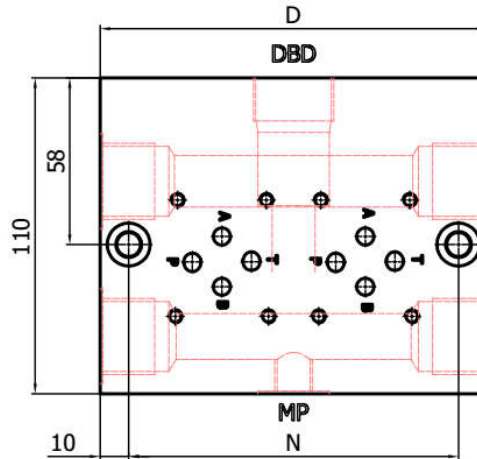
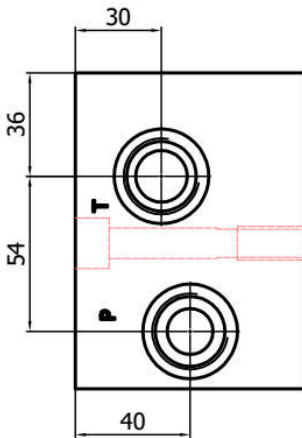
Fastening of the Plate
4xM8 On the front 2xM10 On the bottom

DBD Cavity
VA Pressure relief valve

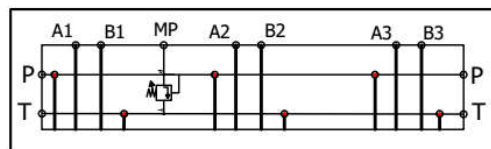
Pressure test point MP G 1/4 on the side



Actuator Ports on the bottom



Number of stations	D	N	Weight (Kg)
1	85	105	5,54
2	135	155	8,79
3	185	205	12,05
4	235	255	15,30
5	285	305	18,56
6	335	355	21,82
7	385	405	25,07
8	435	455	28,33



CODE : UHSB-3-2-02-G-B-M-1-X-X

* Please define X

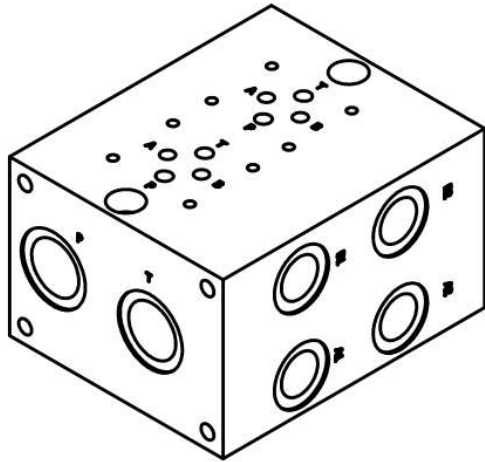


UZUN
HİDROLİK
SANAYİ ve TİCARET A.Ş.

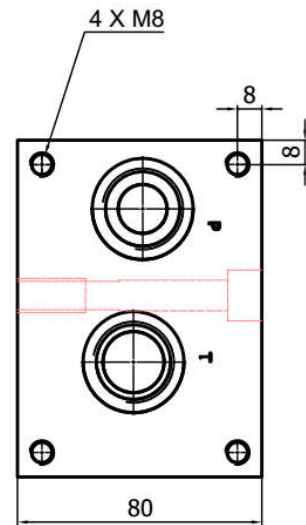
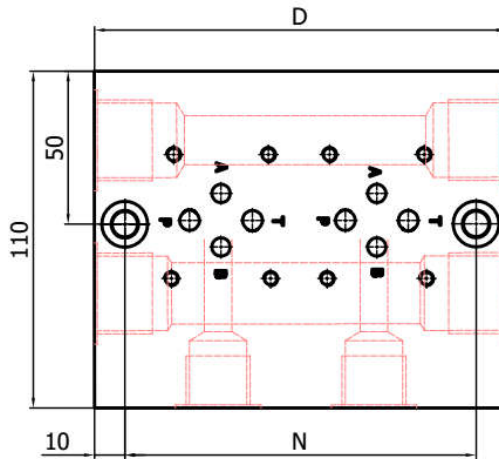
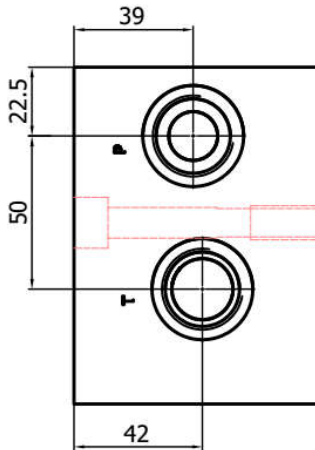
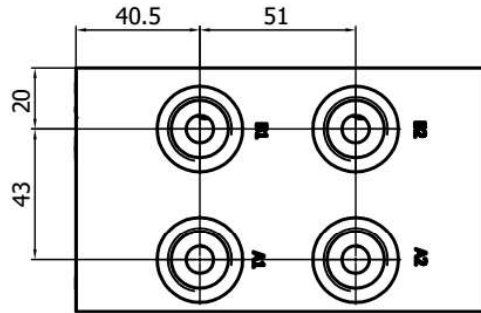
Series Connection Plate NG 6
P+T G3/4" -On the front A+B G1/2" -On the Side

ISO 4401
CETOP 3

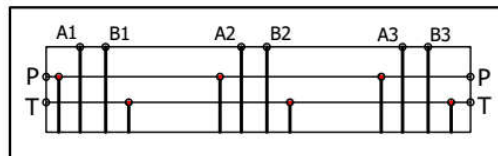
Fastening of the Plate
4xM8 On the front 2xM10 On the bottom



Actuator Ports on the Side



Number of stations	D	N	Weight (Kg)
1	85	65	5,54
2	135	115	8,80
3	185	165	12,05
4	235	215	15,30
5	285	265	18,56
6	335	315	21,82
7	385	365	25,07
8	435	415	28,33



CODE : UHSB-3-2-02-G-S-W-0-X-X

* Please define X



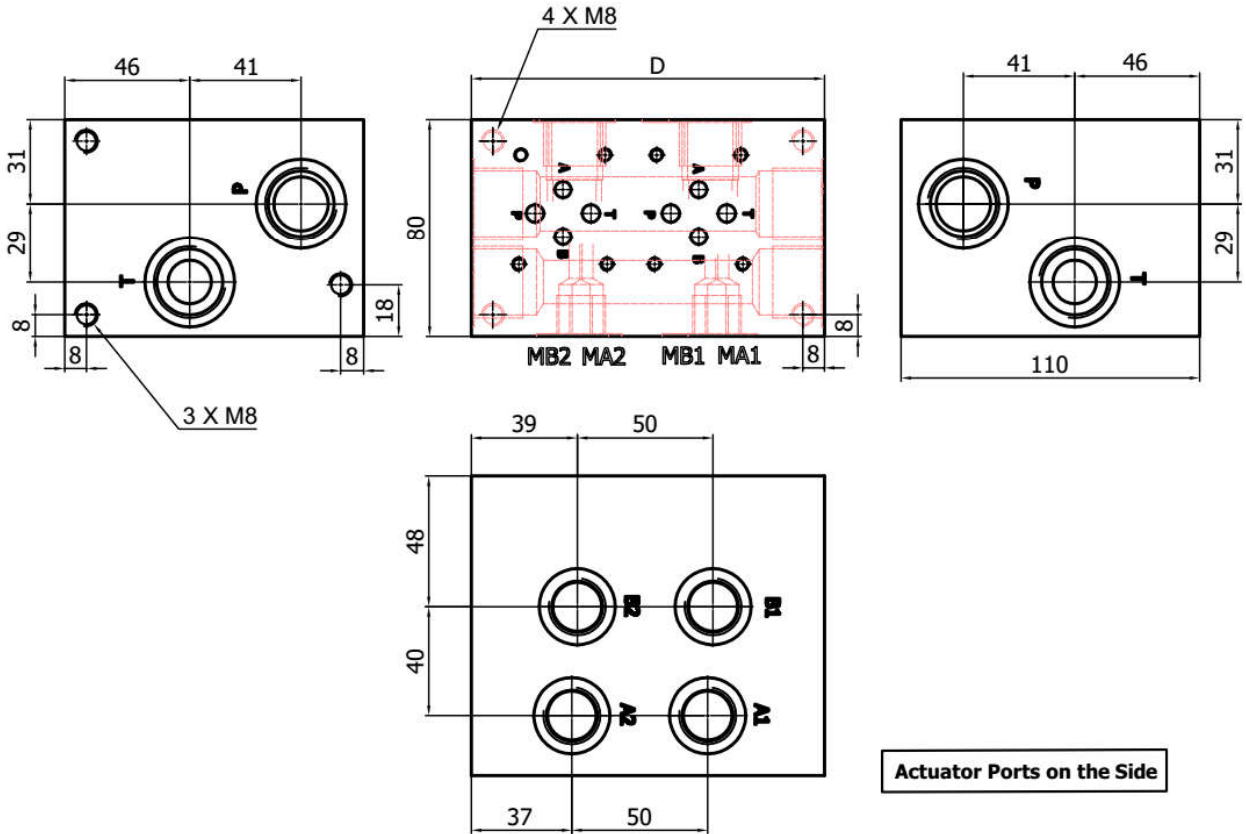
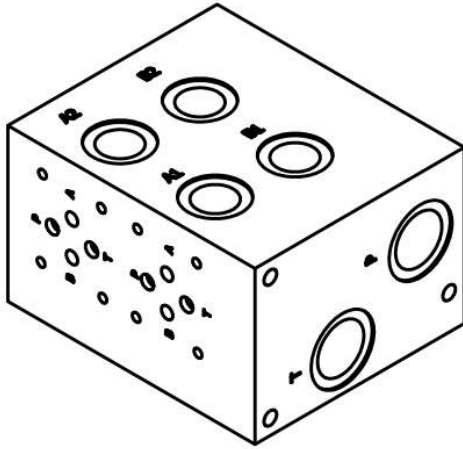
UZUN
HİDROLİK
SANAYİ ve TİCARET A.Ş.

Series Connection Plate NG 6
P+T G3/4" -On the front A+B G1/2" -On the Side

ISO 4401
CETOP 3

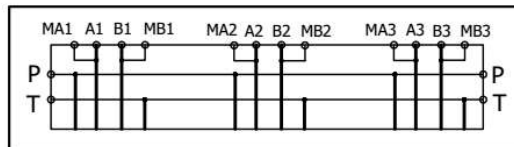
Fastening of the Plate
3xM8 on the front 4xM8 On the Bottom

Pressure test points G 1/4 on the side



Actuator Ports on the Side

Number of stations	D	Weight (Kg)
1	80	5,21
2	130	8,47
3	180	11,72
4	230	14,98
5	280	18,23
6	330	21,49
7	380	24,75
8	430	28,00



CODE : UHSB-3-2-02-G-S-M-0-X-X

* Please define X



UZUN
HİDROLİK
SANAYİ ve TİCARET A.Ş.

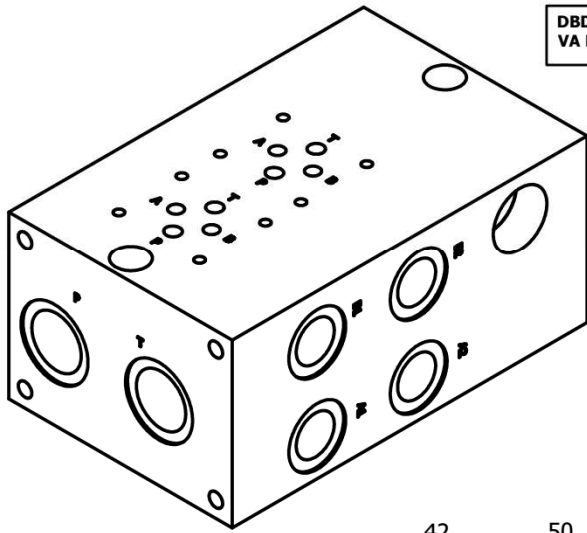
Series Connection Plate NG 6 with DBD - Cavity
P+T G3/4" -On the front A+B G1/2" -On the Side

ISO 4401
CETOP 3

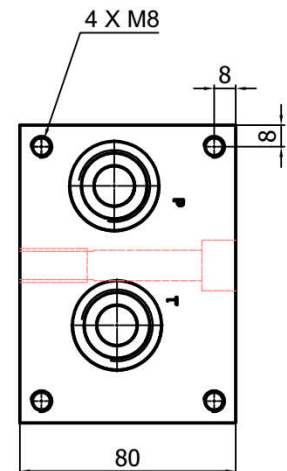
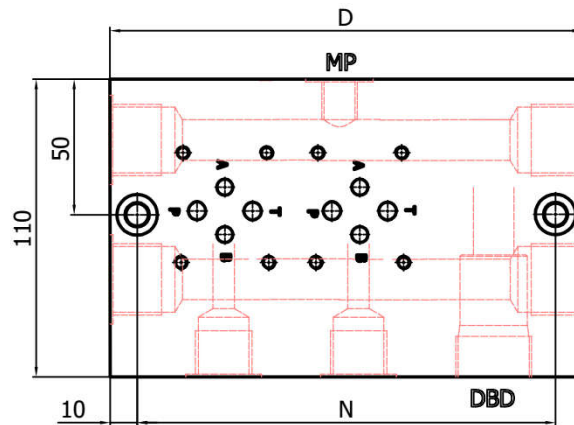
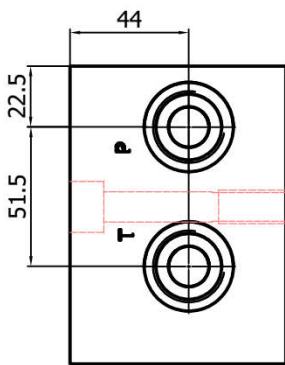
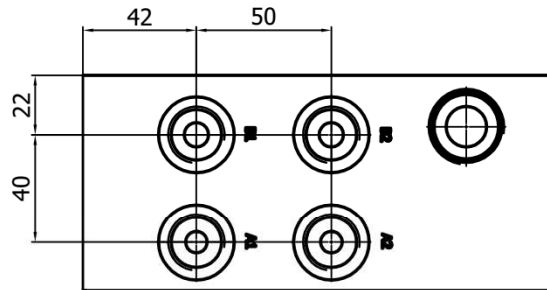
Fastening of the Plate
4xM8 On the front 2xM10 On the bottom

DBD Cavity
VA Pressure relief valve

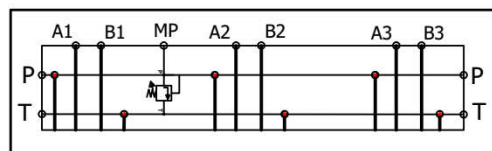
Pressure test point MP G 1/4 on the side



Actuator Ports on the Side



Number of stations	D	N	Weight (Kg)
1	125	105	8,14
2	175	155	11,40
3	225	205	14,65
4	275	255	16,28
5	325	305	21,16
6	375	355	24,42
7	425	405	27,68
8	475	455	30,93



CODE : UHSB-3-2-02-G-S-M-1-X-X

* Please define X

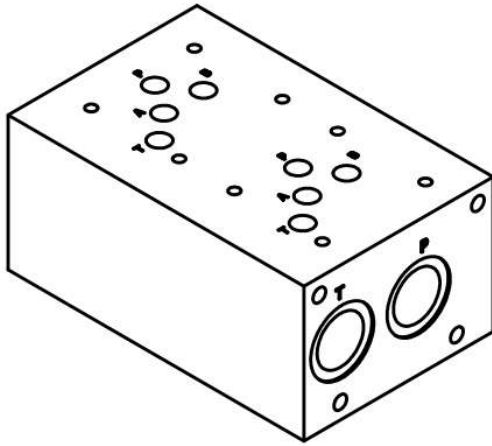


UZUN
HİDROLİK
SANAYİ ve TİCARET A.Ş.

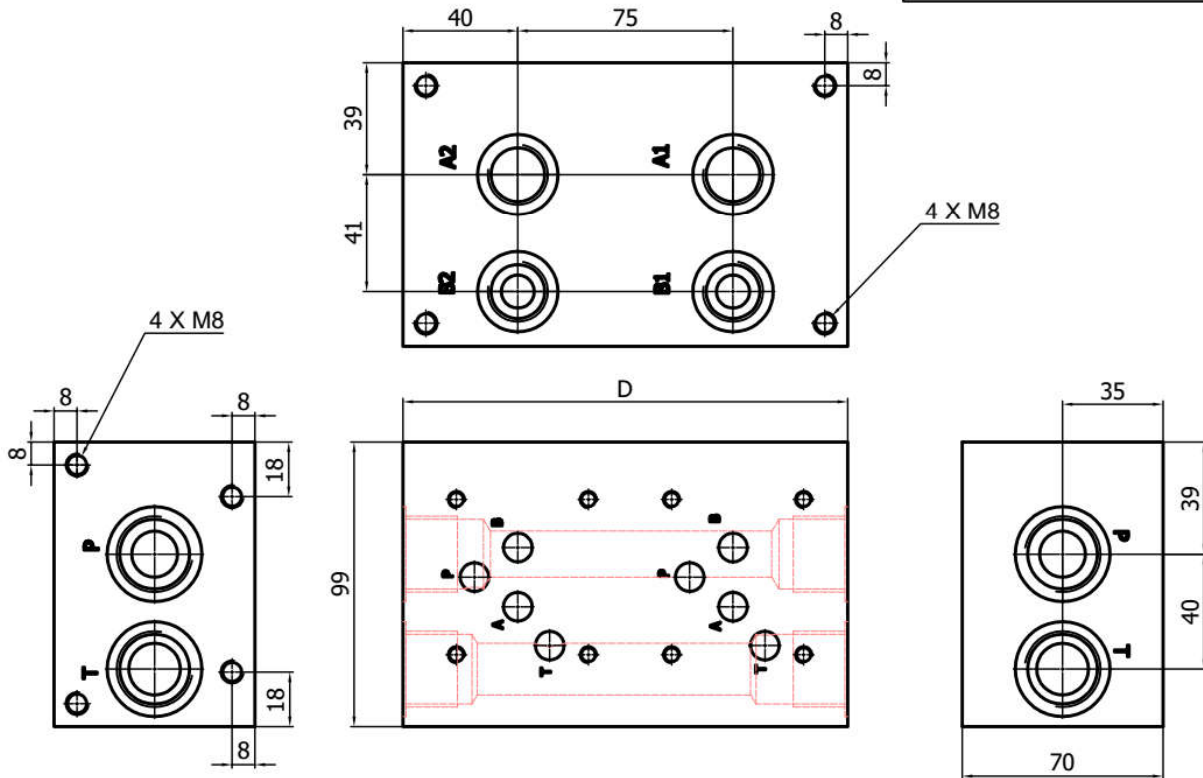
Series Connection Plate NG 10
P+T G3/4" -On the front A+B G1/2" -On the bottom

ISO 4401
CETOP 5

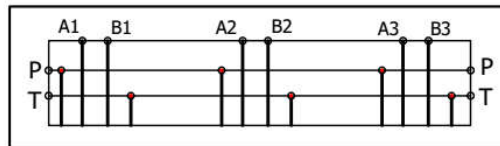
Fastening of the Plate
4xM8 On the front 4xM8 On the bottom



Actuator Ports on the bottom



Number of stations	D	Weight (Kg)
1	80	4,10
2	155	7,95
3	230	11,79
4	305	15,64
5	380	19,49
6	455	23,33
7	530	27,18
8	605	31,03



CODE : UHSB-5-2-03-G-B-W-0-X-X

* Please define X



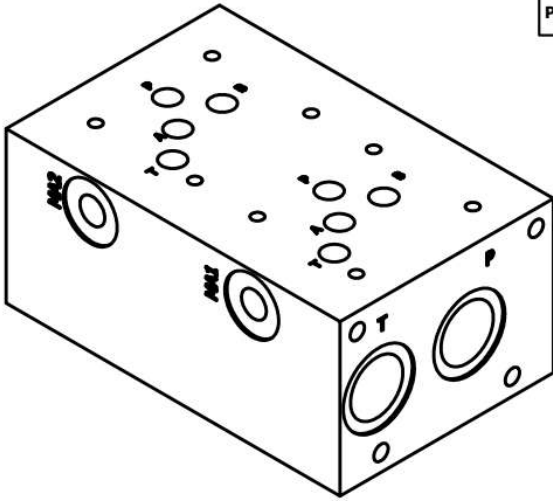
UZUN
HİDROLİK
SANAYİ ve TİCARET A.Ş.

Series Connection Plate NG 10
P+T G3/4" -On the front A+B G1/2" -On the bottom

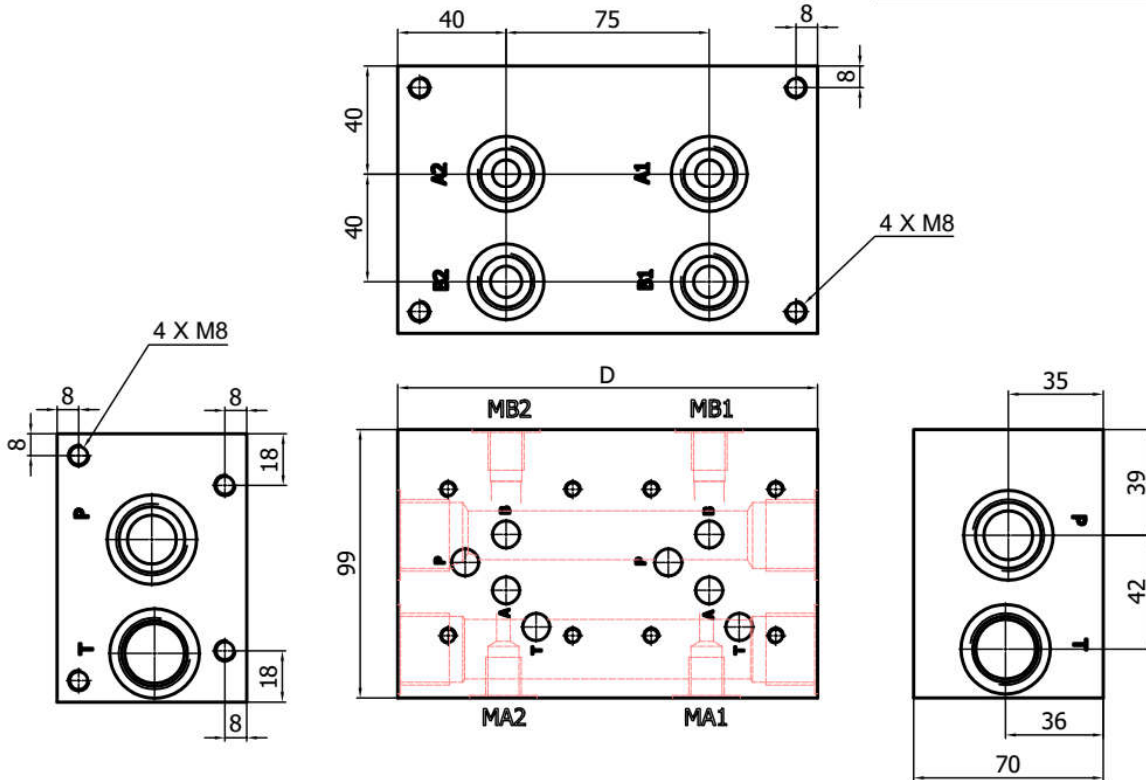
ISO 4401
CETOP 5

Fastening of the Plate
4xM8 On the front 4xM8 On the bottom

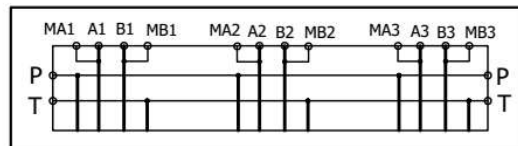
Pressure test points G 1/4 on the side



Actuator Ports on the bottom



Number of stations	D	Weight (Kg)
1	80	4,10
2	155	7,95
3	230	11,79
4	305	15,64
5	380	19,49
6	455	23,33
7	530	27,18
8	605	31,03



CODE : UHSB-5-2-03-G-B-M-0-X-X

* Please define X



UZUN
HİDROLİK
SANAYİ ve TİCARET A.Ş.

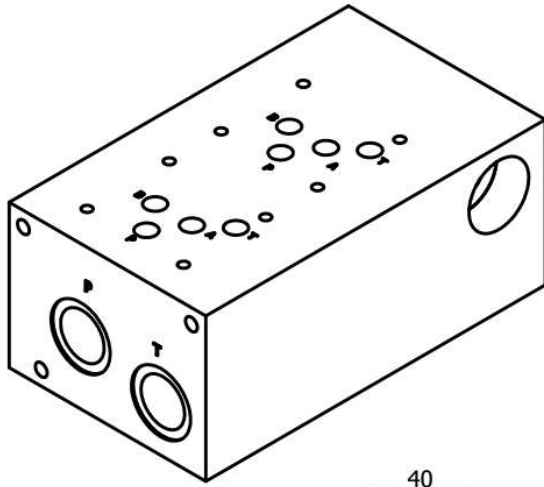
Series Connection Plate NG 10 with DBD - Cavity
P+T G3/4" -On the front A+B G1/2" -On the bottom

ISO 4401
CETOP 5

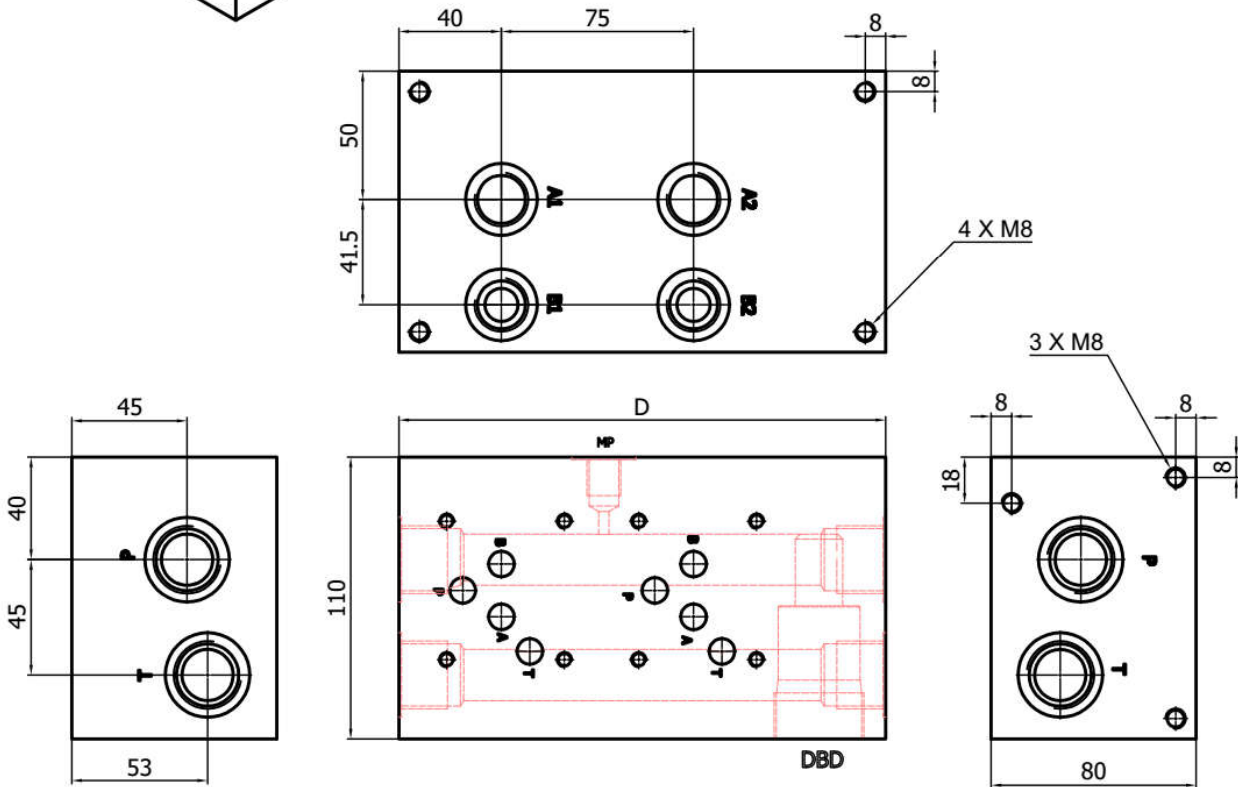
Fastening of the Plate
3xM8 On the front 4xM8 On the bottom

DBD Cavity
VA Pressure relief valve

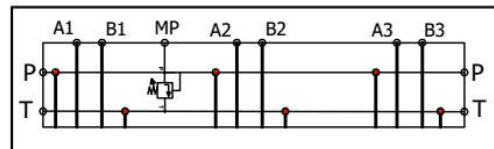
Pressure test point MP G 1/4 on the side



Actuator Ports on the bottom



Number of stations	D	Weight (Kg)
1	115	7,49
2	190	12,37
3	265	17,26
4	340	22,14
5	415	27,02
6	490	31,91
7	565	36,80
8	640	41,68



CODE : UHSB-5-2-03-G-B-M-1-X-X

* Please define X

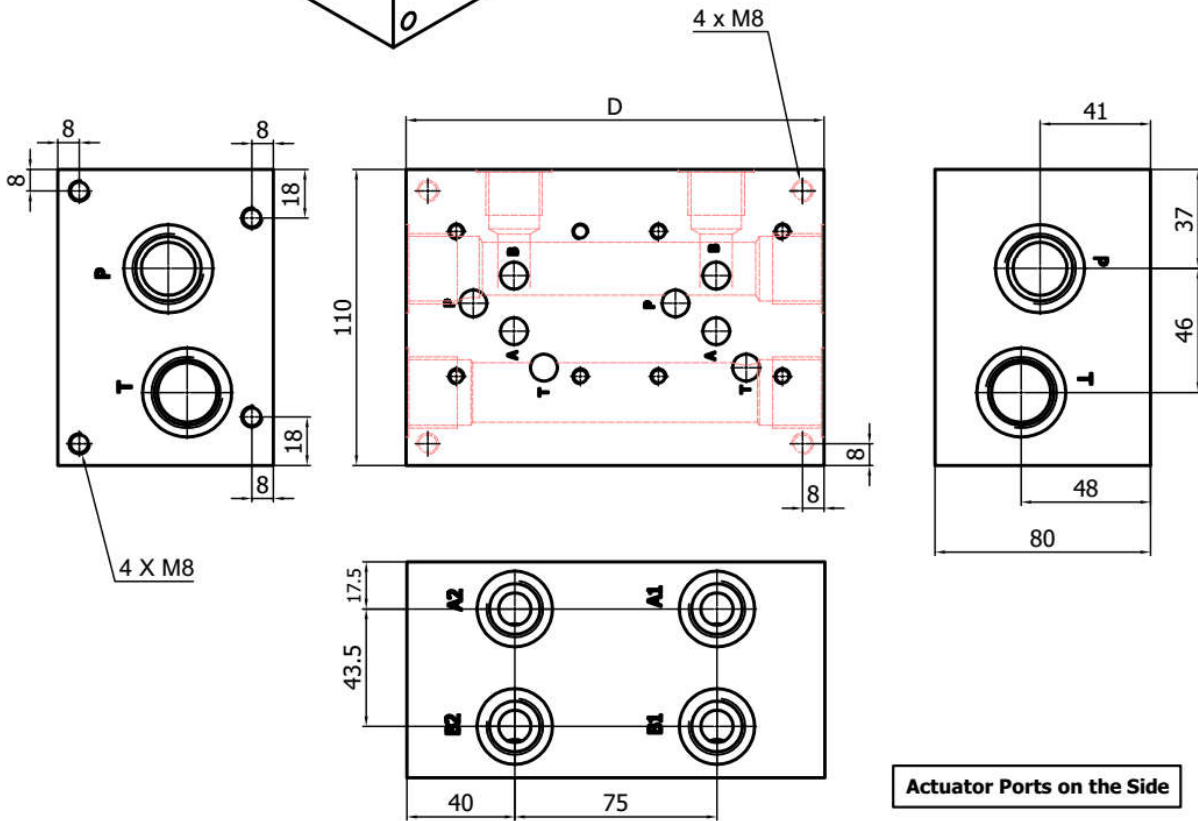
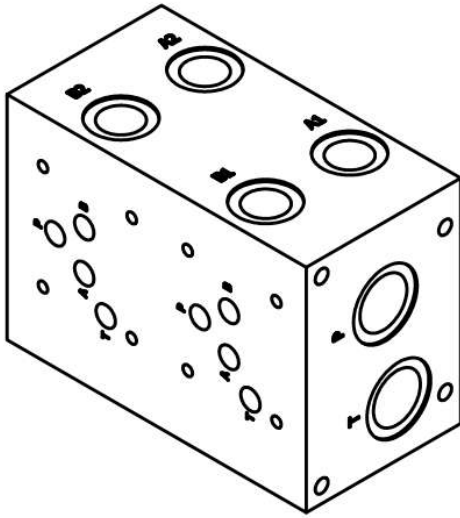


UZUN
HİDROLİK
SANAYİ ve TİCARET A.Ş.

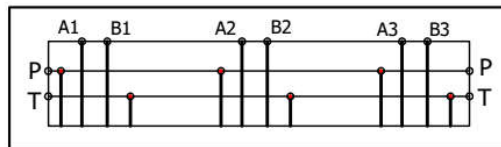
Series Connection Plate NG 10
P+T G3/4" -On the front A+B G1/2" -On the Side

ISO 4401
CETOP 5

Fastening of the Plate
4xM8 On the front 4xM8 On the bottom



Number of stations	D	Weight (Kg)
1	80	5,21
2	155	10,10
3	230	14,98
4	305	19,86
5	380	24,75
6	455	29,63
7	530	34,51
8	605	39,40



CODE : UHSB-5-2-03-G-S-W-0-X-X

* Please define X



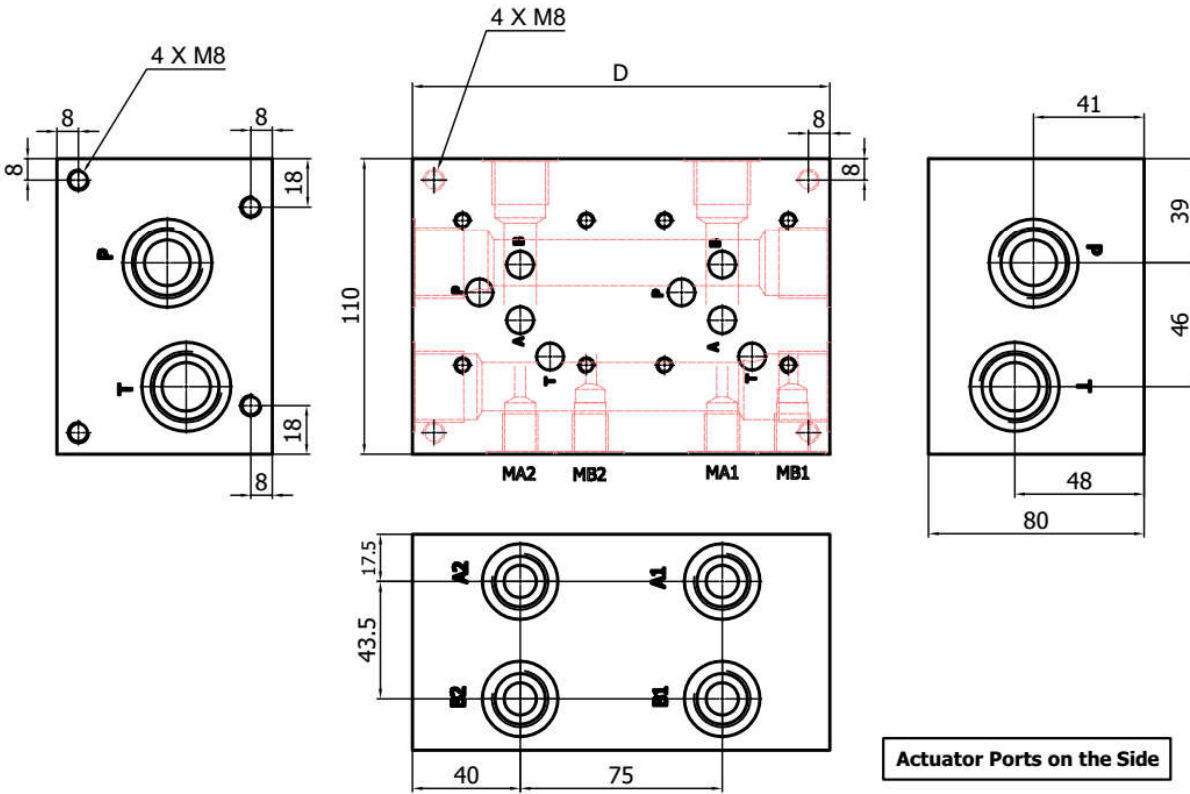
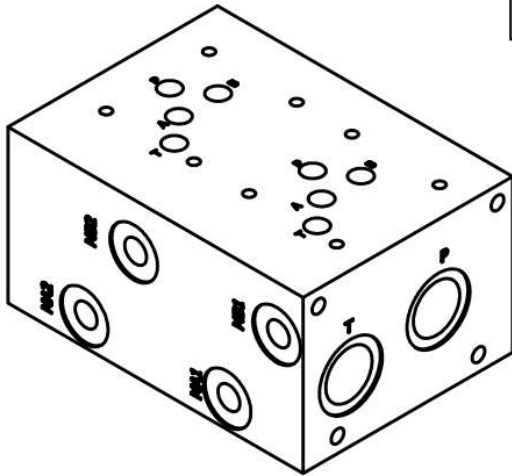
UZUN
HİDROLİK
SANAYİ ve TİCARET A.Ş.

Series Connection Plate NG 10
P+T G3/4" -On the front A+B G1/2" -On the Side

ISO 4401
CETOP 5

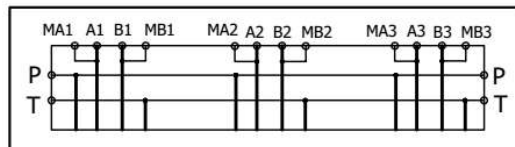
Fastening of the Plate
4xM8 On the front 4xM8 On the bottom

Pressure test points G 1/4 on the side



Actuator Ports on the Side

Number of stations	D	Weight (Kg)
1	80	5,21
2	155	10,10
3	230	14,98
4	305	19,86
5	380	24,75
6	455	29,63
7	530	34,51
8	605	39,40



CODE : UHSB-5-2-03-G-S-M-0-X-X

* Please define X



UZUN
HİDROLİK
SANAYİ ve TİCARET A.Ş.

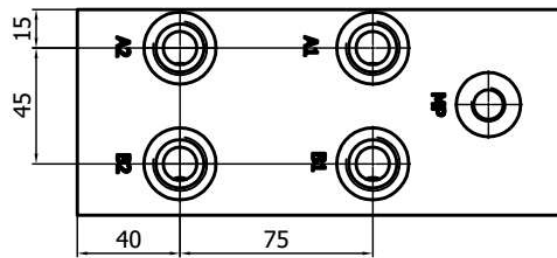
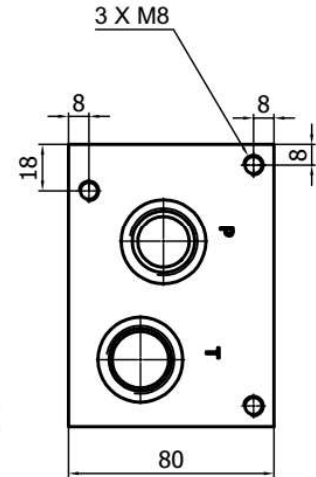
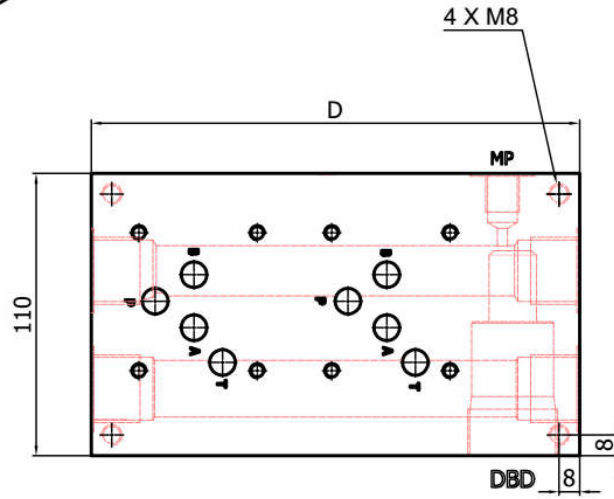
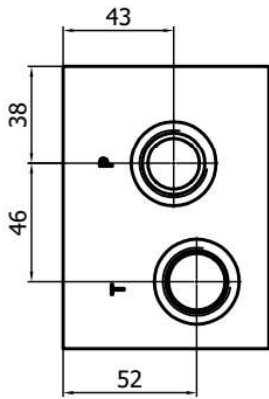
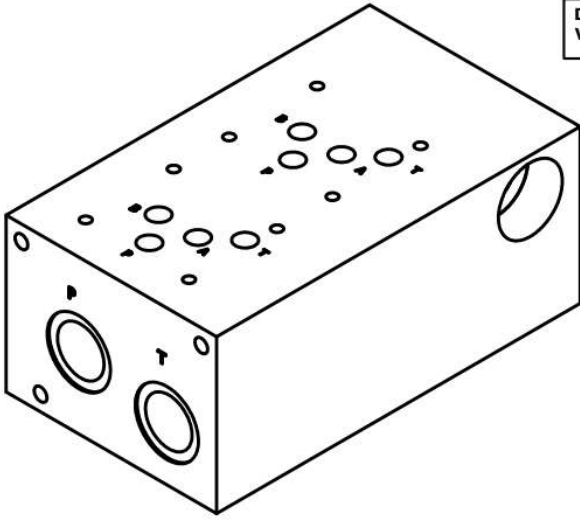
Series Connection Plate NG 10 with DBD - Cavity
P+T G3/4" -On the front A+B G1/2" -On the Side

ISO 4401
CETOP 5

Fastening of the Plate
3xM8 On the front 4xM8 On the bottom

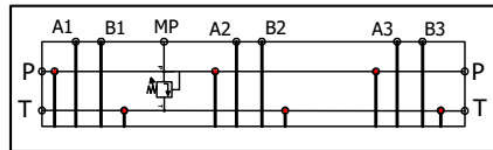
DBD Cavity
VA Pressure relief valve

Pressure test point MP G 1/4 on the side



Actuator Ports on the side

Number of stations	D	Weight (Kg)
1	115	7,49
2	190	12,37
3	265	17,26
4	340	22,14
5	415	27,02
6	490	31,91
7	565	36,80
8	640	41,68



CODE : UHSB-5-2-03-G-S-M-1-X-X

* Please define X

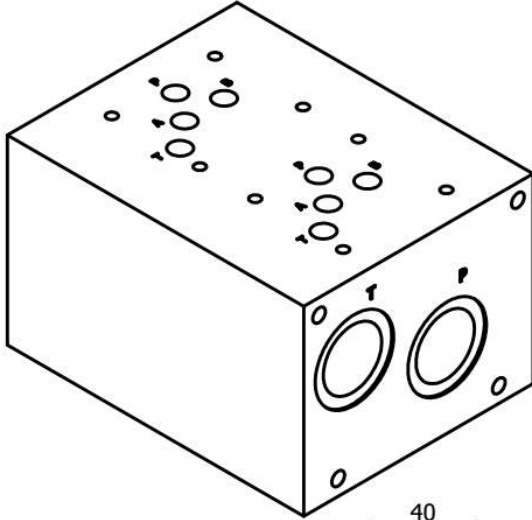


UZUN
HİDROLİK
SANAYİ ve TİCARET A.Ş.

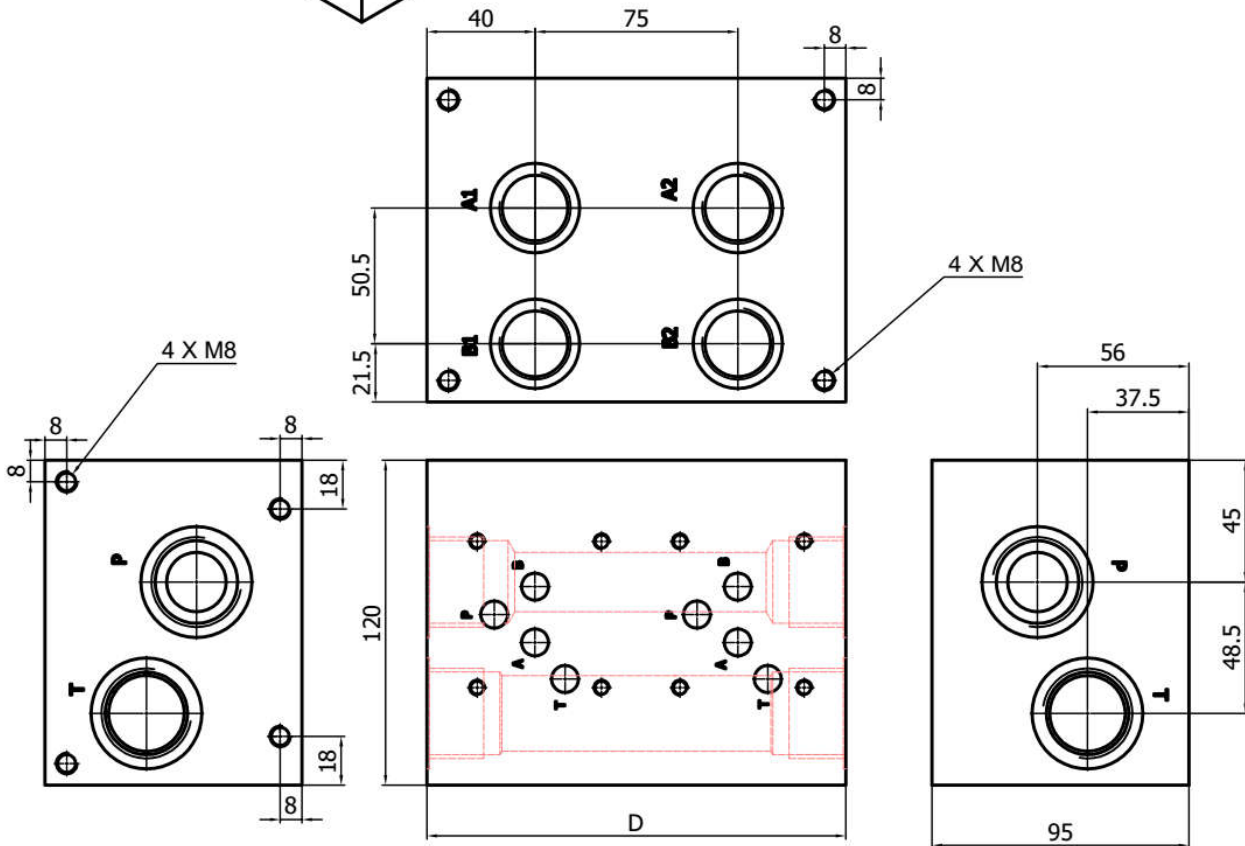
Series Connection Plate NG 10
P+T G1" -On the front A+B G3/4" -On the bottom

ISO 4401
CETOP 5

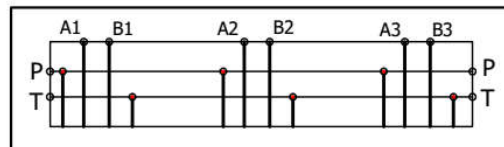
Fastening of the Plate
4xM8 On the front 4xM8 On the bottom



Actuator Ports on the bottom



Number of stations	D	Weight (Kg)
1	80	6,75
2	155	13,08
3	230	19,40
4	305	25,73
5	380	32,06
6	455	38,38
7	530	44,71
8	605	51,04



CODE : UHSB-5-2-04-G-B-W-0-X-X

* Please define X



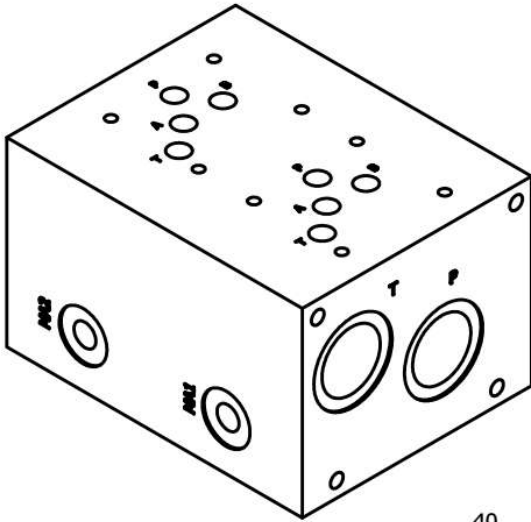
UZUN
HİDROLİK
SANAYİ ve TİCARET A.Ş.

Series Connection Plate NG 10
P+T G1" -On the front A+B G3/4" -On the bottom

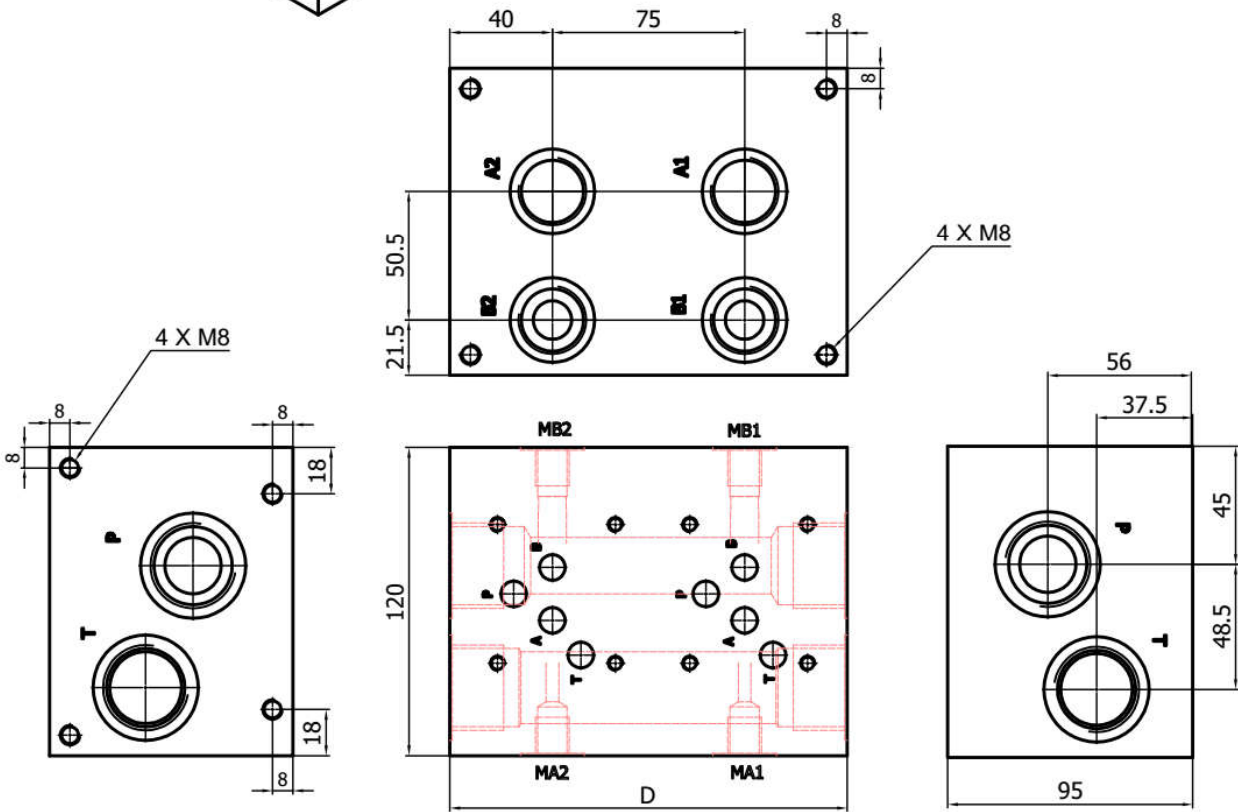
ISO 4401
CETOP 5

Fastening of the Plate
4xM8 On the front 4xM8 On the bottom

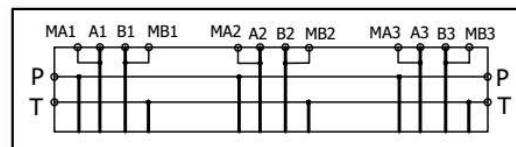
Pressure test points G 1/4 on the side



Actuator Ports on the bottom



Number of stations	D	Weight (Kg)
1	80	6,75
2	155	13,08
3	230	19,40
4	305	25,73
5	380	32,06
6	455	38,38
7	530	44,71
8	605	51,04



CODE : UHSB-5-2-04-G-B-M-0-X-X

* Please define X



UZUN
HİDROLİK
SANAYİ ve TİCARET A.Ş.

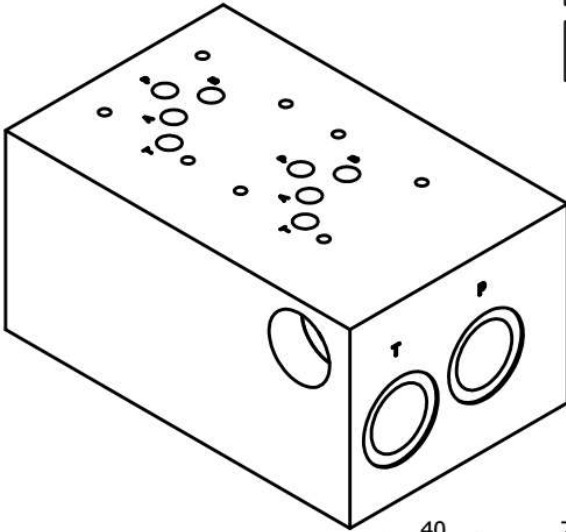
Series Connection Plate NG 10 with DBD - Cavity
P+T G1" -On the front A+B G3/4" -On the bottom

ISO 4401
CETOP 5

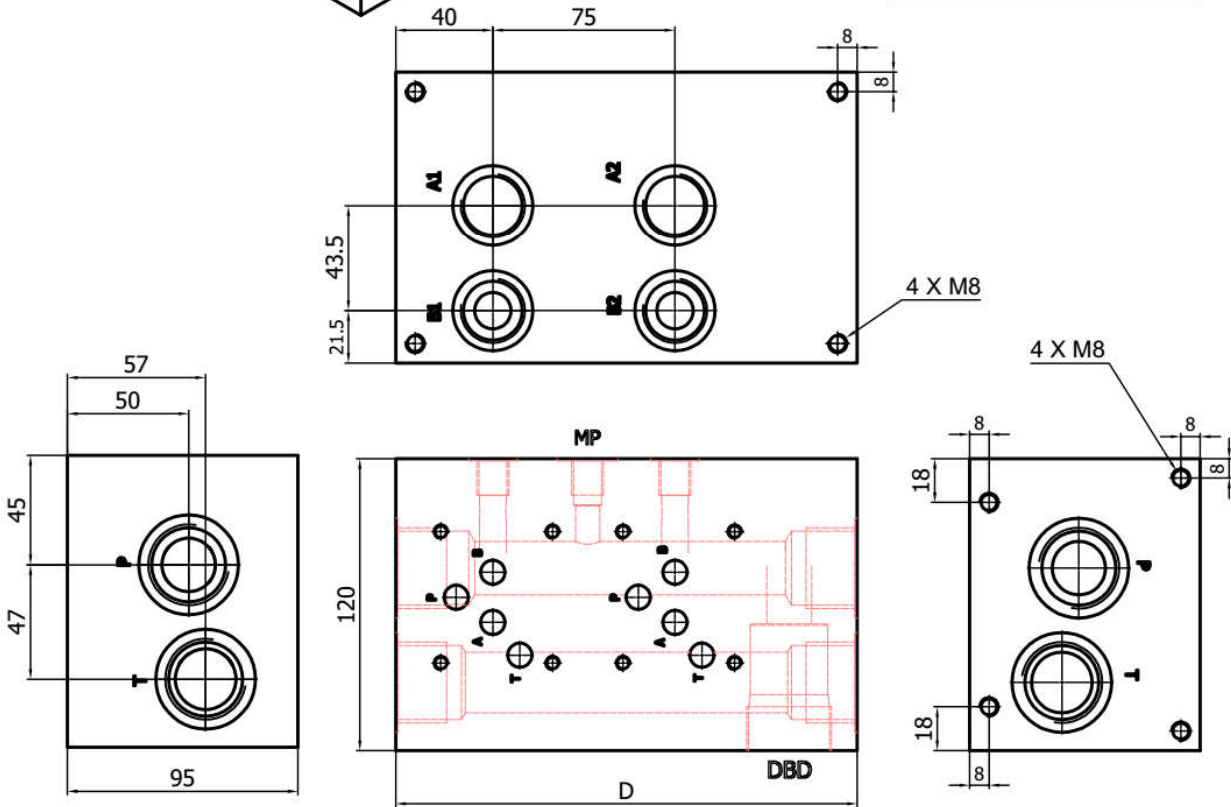
Fastening of the Plate
4xM8 On the back 4xM8 On the bottom

DBD Cavity
VA Pressure relief valve

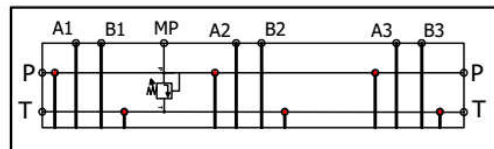
Pressure test point MP G 1/4 on the side



Actuator Ports on the bottom



Number of stations	D	Weight (Kg)
1	115	9,70
2	190	16,03
3	265	22,36
4	340	28,68
5	415	35,01
6	490	41,34
7	565	47,66
8	640	54,00



CODE : UHSB-5-2-04-G-B-M-1-X-X

* Please define X

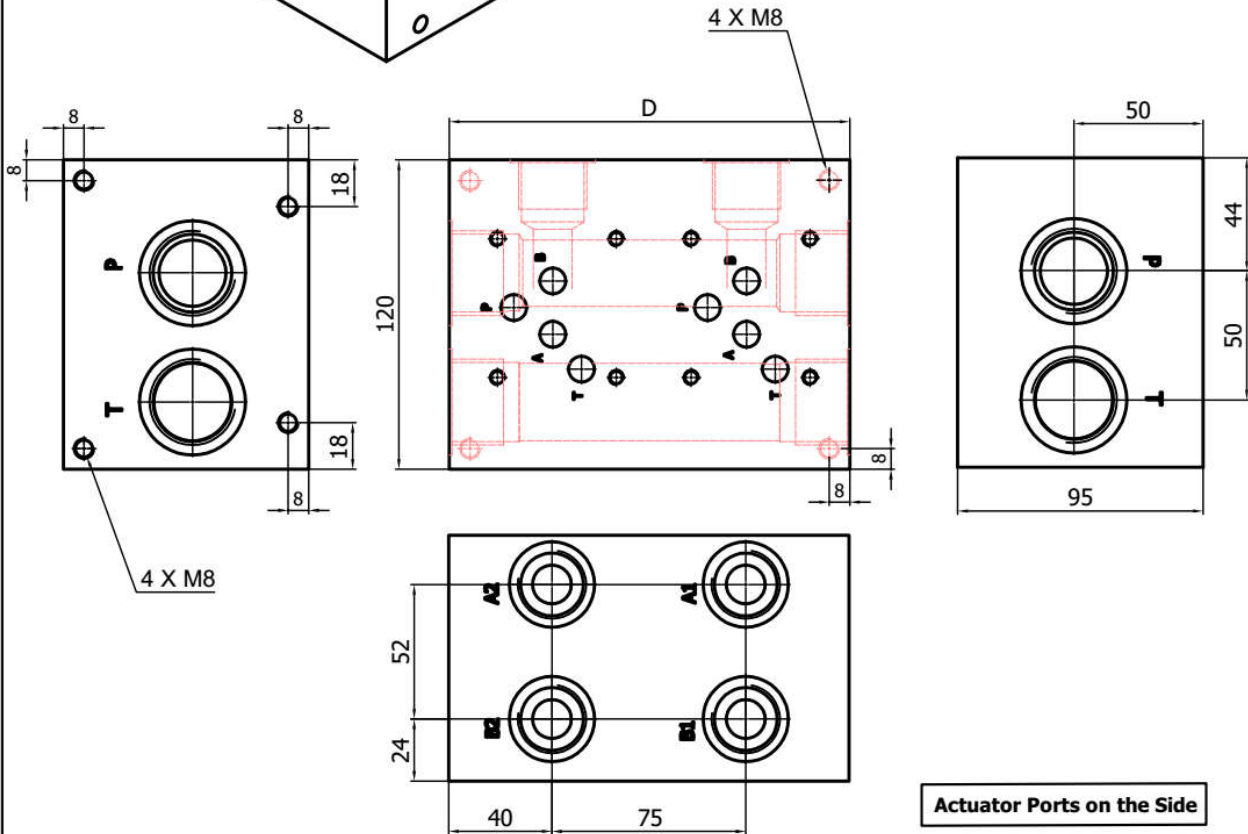
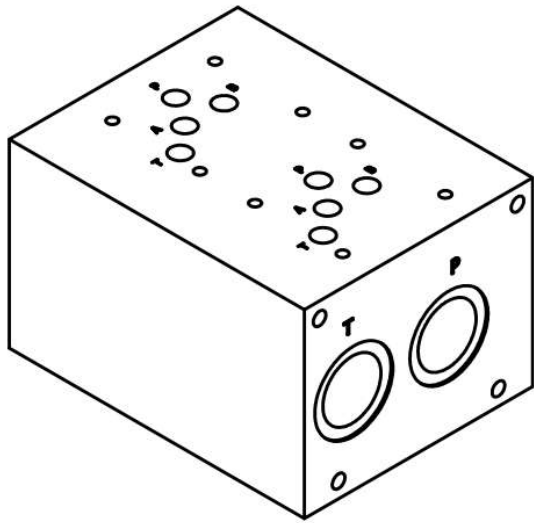


UZUN
HİDROLİK
SANAYİ ve TİCARET A.Ş.

Series Connection Plate NG 10
P+T G1" -On the front A+B G3/4" -On the Side

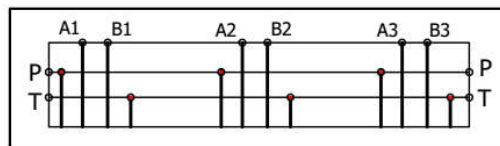
ISO 4401
CETOP 5

Fastening of the Plate
4xM8 On the front 4xM8 On the bottom



Actuator Ports on the Side

Number of stations	D	Weight (Kg)
1	80	6,75
2	155	13,08
3	230	19,40
4	305	25,73
5	380	32,06
6	455	38,38
7	530	44,71
8	605	51,04



CODE : UHSB-5-04-02-G-S-W-0-X-X

* Please define X



UZUN
HİDROLİK
SANAYİ ve TİCARET A.Ş.

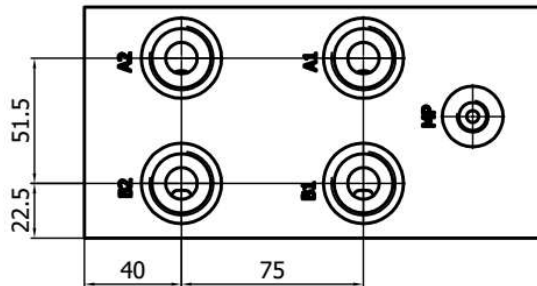
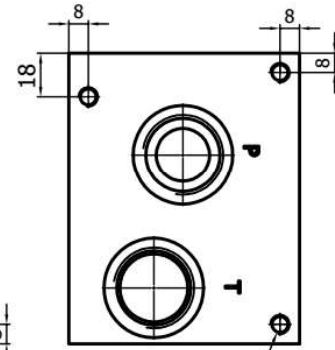
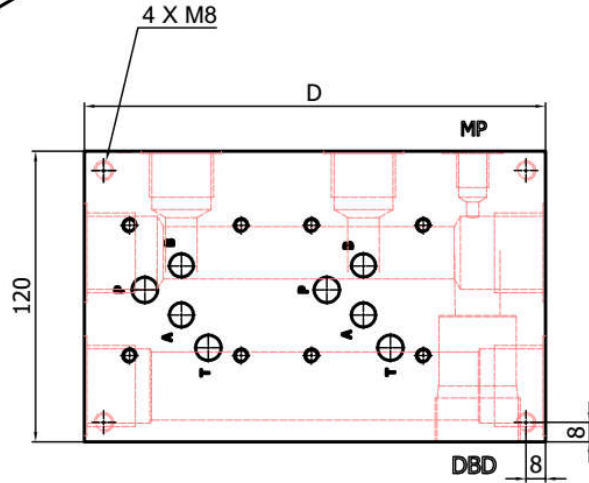
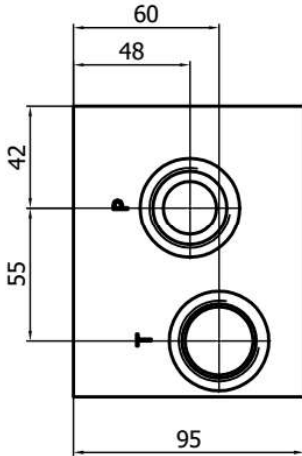
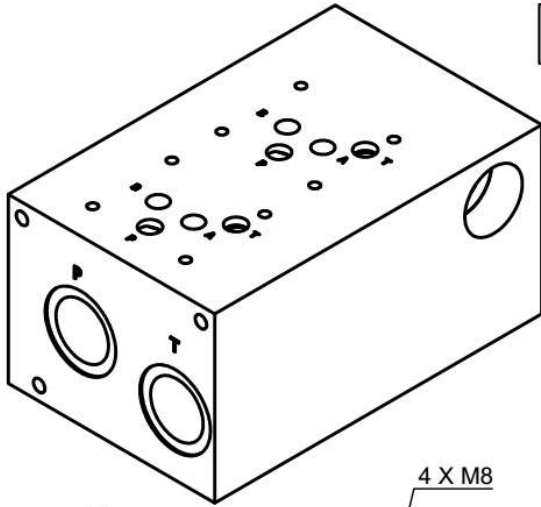
Series Connection Plate NG 10 with DBD - Cavity
P+T G1" -On the front A+B G3/4" -On the Side

ISO 4401
CETOP 5

Fastening of the Plate
3xM8 On the back 4xM8 On the bottom

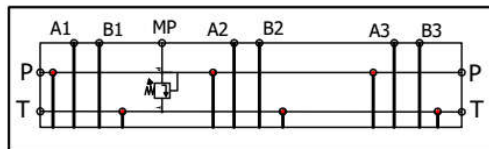
DBD Cavity
VA Pressure relief valve

Pressure test point MP G 1/4 on the side



Actuator Ports on the Side

Number of stations	D	Weight (Kg)
1	115	9,70
2	190	16,03
3	265	22,36
4	340	28,68
5	415	35,01
6	490	41,34
7	565	47,66
8	640	54,00



CODE : UHSB-5-2-04-G-S-M-1-X-X

* Please define X

Contact : Istanbul Deri OSB. Karadeniz Cad.

13-2 Parsel No : 11

Orhanlı/TUZLA/ISTANBUL/TURKEY

Phone : (0216) 394 17 36-37

Fax :(0216) 394 22 92

Mail : info@uzunhidrolik.com

Web: www.uzunhidrolik.com